



PRODUCT: \_\_\_\_\_

SKU NUMBER: \_\_\_\_\_

QUANTITY: \_\_\_\_\_



## FEATURES

- Thermal Limit Switch 120°F / 49°C Max Water Temp
- SMT-200-RWC manual rewind hose reel
- Stainless Steel Gun Hanger
- Dual Chemical Selection
- 35 ft GFCI Power Cord
- 30 ft Steel Braided High Pressure Hose
- 36 in Stainless Spray Gun and Wand Assembly
- 3 Cylinder CAT® Super Flow Plunger Pump
- Industrial 2HP Totally Enclosed Motor & Fan Cooled
- 115 Volt/60 Hz, 1 phase, 15 Amps
- 850 psi/2.9 gpm
- 1100 psi/2.2 gpm

SMT - 600PEW Portable System

300-5050

2.2 gpm / 8.3 lpm @ 1100 psi / 76bars

2.9 pm / 11 lpm @ 850 psi / 59bars

**Spray Master Technologies®**

**TOLL FREE: 800-548-3373**

115 E. Linden • Rogers, Arkansas 72756 USA

(479) 636-5776 • Fax: (479) 636-3245

[www.spraymastertech.com](http://www.spraymastertech.com)



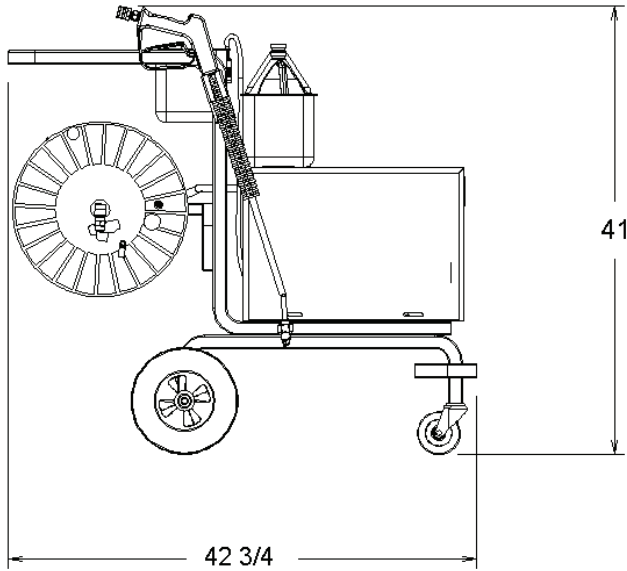
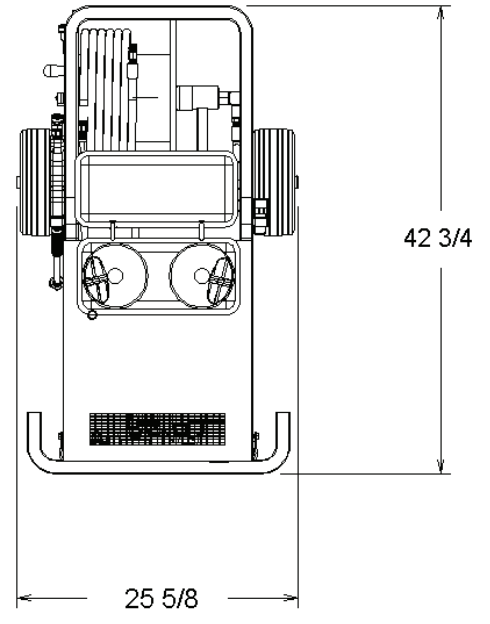
### Equipment Specifications

#### Plumbing

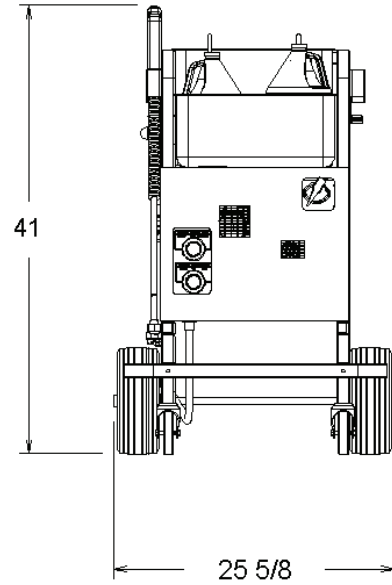
3/4" / 2cm Hose Bib with 5 gpm/.14 Lpm  
@ 30psi / 20.6 bars. 120°F/49°C

#### Electrical

115V, 16A dedicated circuit



SIDE VIEW



FRONT VIEW