



spraymastertech.com

PRODUCT: _____

SKU NUMBER: _____

QUANTITY: _____



300-5217 New Masonry

FEATURES

- Stainless Steel Remote Station with Mortar Grippers
- Shut-off Quick Connect
- Top Entry
- Stainless Steel Tubing Supply
- Front Port
- Locking Cover
- Door Catch
- Electronic Controls

SMT - New Masonry Remote

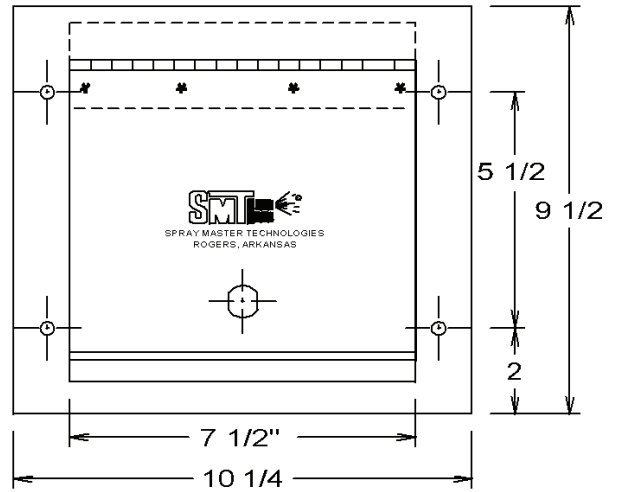
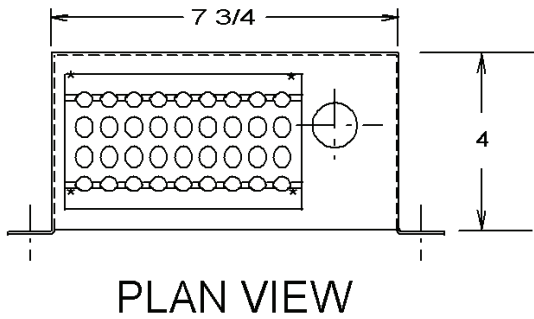
Spray Master Technologies®

TOLL FREE: 800-548-3373

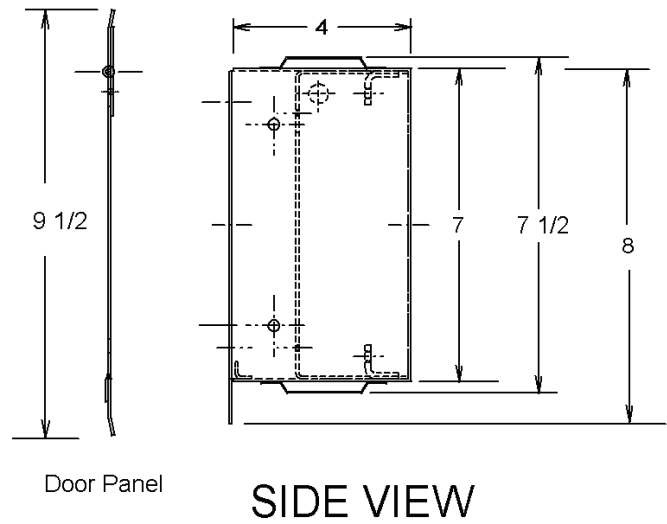
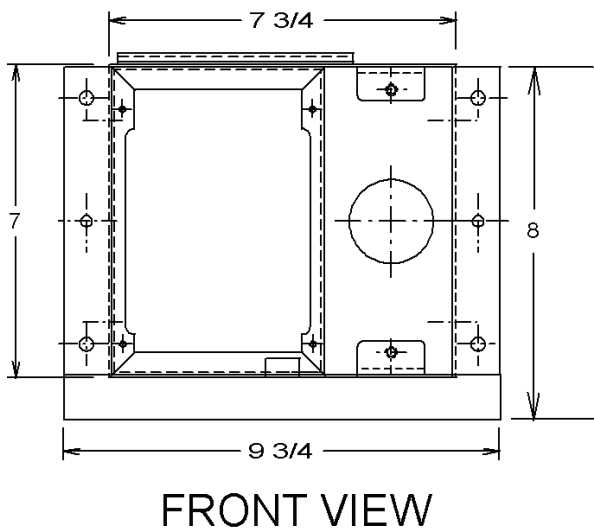
115 E. Linden • Rogers, Arkansas 72756 USA
(479) 636-5776 • Fax: (479) 636-3245

www.spraymastertech.com

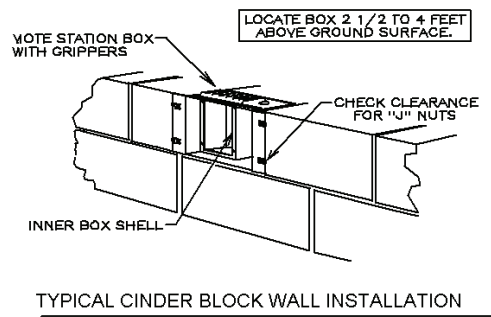
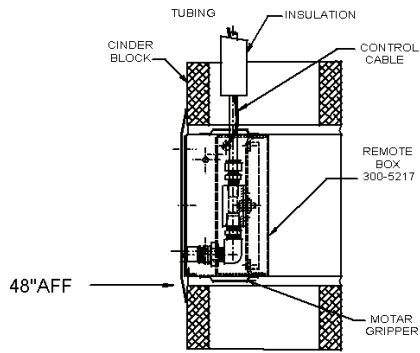




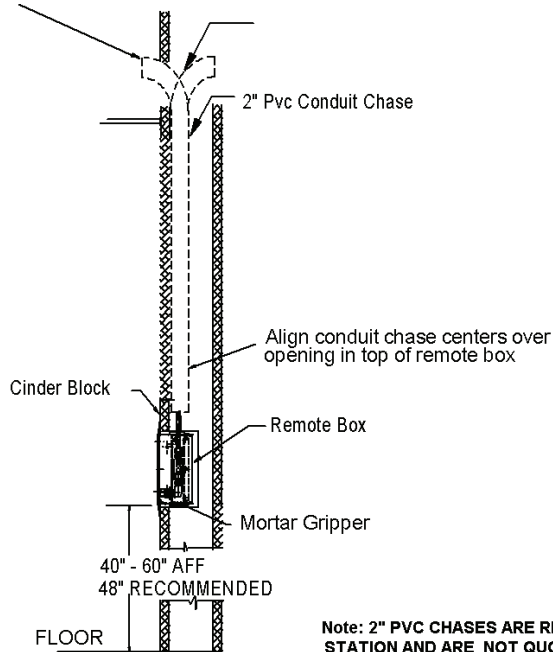
Front View with door panel installed



SMT - New Masonry Remote



Sweep elbow through wall above ceiling

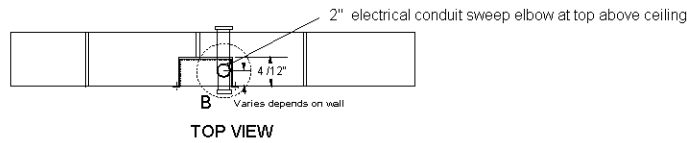
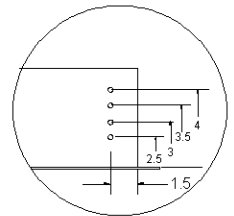


Note: 2" PVC CHASES ARE REQUIRED FOR EACH REMOTE STATION AND ARE NOT QUOTED OR SUPPLIED BY SMT

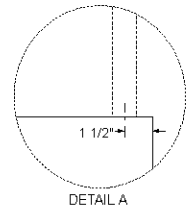
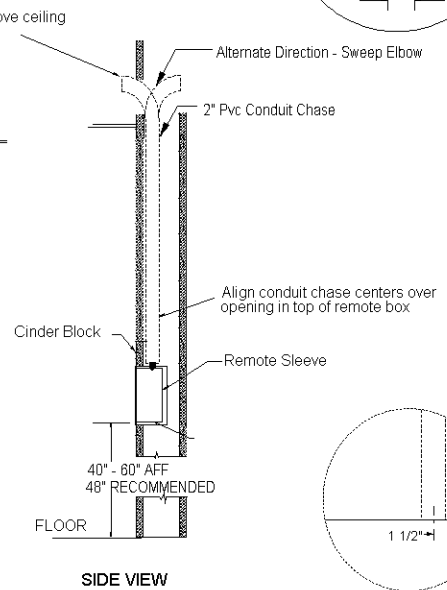
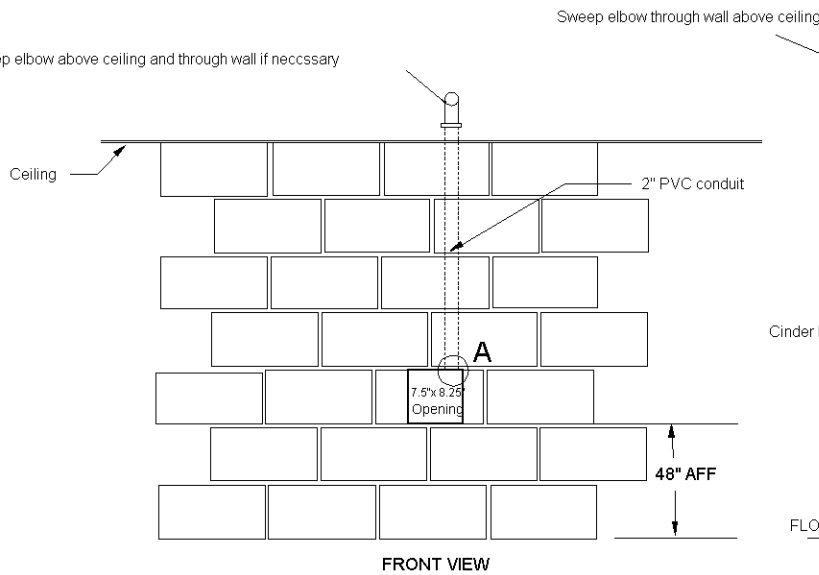
CS- 5217 B

Chase Alignment Holes

Detail B



Use long 2" conduit sweep elbow above ceiling and through wall if necessary



Note: 2" PVC CHASES ARE REQUIRED FOR EACH REMOTE STATION AND ARE NOT QUOTED OR SUPPLIED BY SMT

NOTES:

- 1.-Cut or block bottom of 7.5"x 8.25" opening 48" above finished floor
- 2.-Ensure the depth of the 7.5" X 8.25" opening is 4 1/2".
- 3.-Secure conduit chase in wall centered at 1 1/2" from right side of 7.25" x 8" opening at front inside of Masonry Block
- 4.-Do not cover 7.5" x 8.25" opening.
- 5.-Remote box will recess 4" into finish wall
- 6.-Call for Technical Support (800) 548-3373
- 7.-Special Provision required for furred out masonry wall.

**CHASE INSTALLATION
MASONRY WALL
RECESSED SLEEVE**