



spraymastertech.com

PRODUCT: _____

SKU NUMBER: _____

QUANTITY: _____



300-5203 Retro-Fit Masonry Construction

FEATURES

- Stainless Steel Recessed Remote Station for Retro-Fit Existing Masonry Construction
- Shut-Off Quick Connect
- Includes Stainless Steel Mounting Plate
- Rear Entry
- 9' Hi-Pressure Hose Supply
- Front Port
- Non Locking Cover
- Door Catch
- Key Switch Controls

SMT - Retro-Fit Masonry Remote

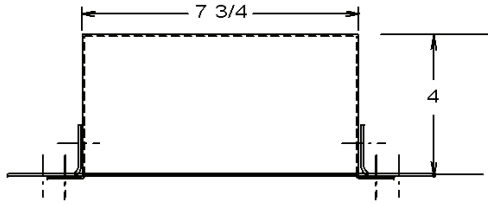
Spray Master Technologies®

TOLL FREE: 800-548-3373

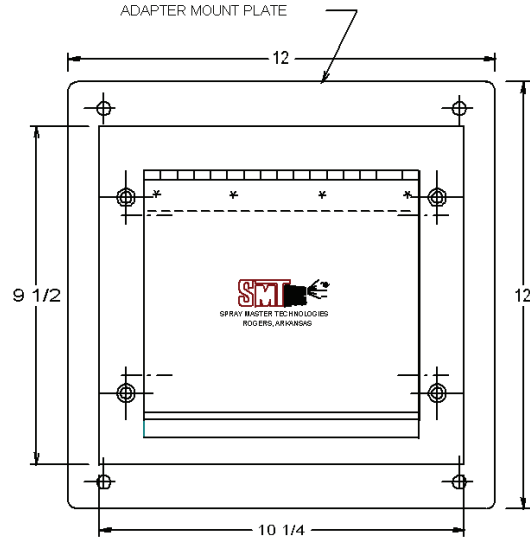
115 E. Linden • Rogers, Arkansas 72756 USA
(479) 636-5776 • Fax: (479) 636-3245

www.spraymastertech.com

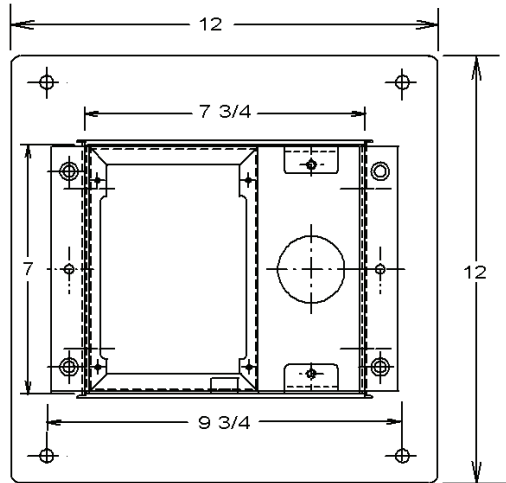




PLAN

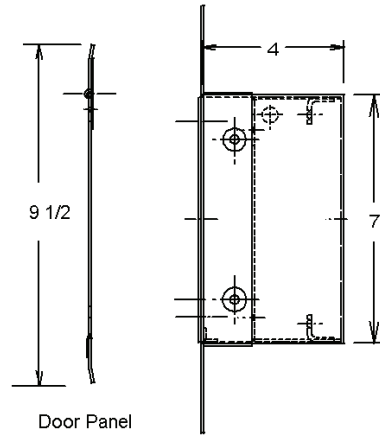


Front View with door panel installed



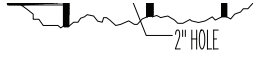
FRONT W/ FRAME PLATE

NOTE: BOX IS SHOWN EMPTY OF CONTROL PANEL
AND OTHER PARTS FOR CLARIFICATION



Door Panel

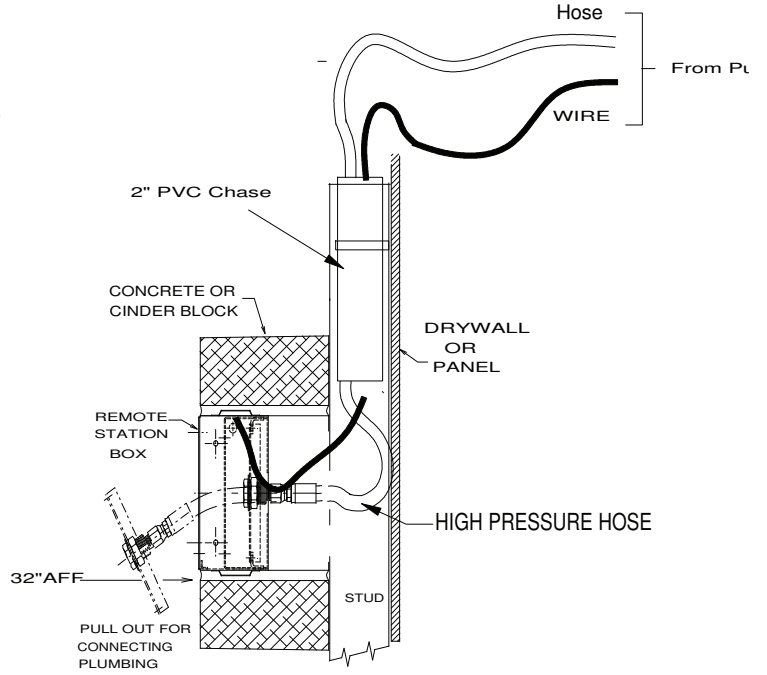
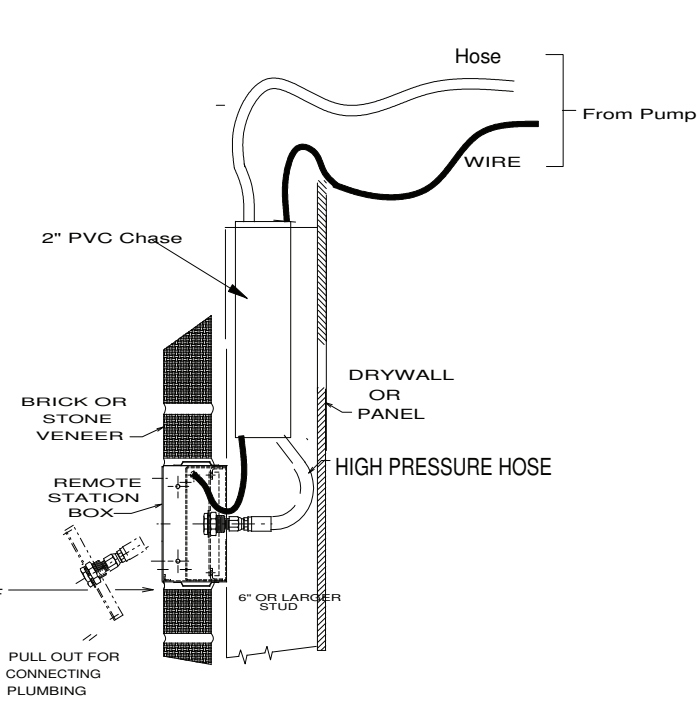
SIDE VIEW



NOTE: DEPTH OF RECTANGLE CUTOUTS IS 4" PLUS

TYPICAL EXISTING BRICK OR BLOCK WALL
RETROFIT INSTALLATION.

SMT - Retro-Fit Masonry Remote



**Note: 2" PVC CHASES ARE REQUIRED FOR EACH REMOTE
STATION AND ARE NOT QUOTED OR SUPPLIED BY SMT**

CS- 5203 B