



spraymastertech.com



300-5202 New Masonry Construction

PRODUCT: \_\_\_\_\_

SKU NUMBER: \_\_\_\_\_

QUANTITY: \_\_\_\_\_

## FEATURES

- Stainless Steel Remote Station with Mortar Grippers
- Shut-Off Quick Connect
- Rear Entry
- 9 Foot Hi-Pressure Hose Supply
- Front Port
- Non Locking Cover
- Door Catch
- Key Switch Controls

SMT - New Masonry Remote

**Spray Master Technologies®**

**TOLL FREE: 800-548-3373**

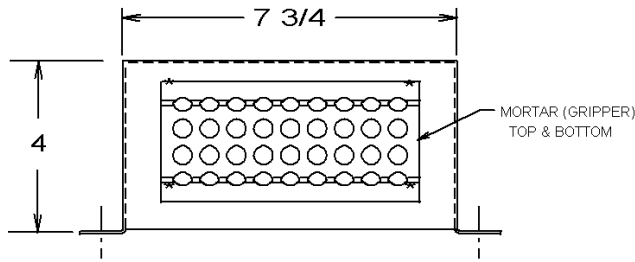
115 E. Linden • Rogers, Arkansas 72756 USA  
(479) 636-5776 • Fax: (479) 636-3245

[www.spraymastertech.com](http://www.spraymastertech.com)

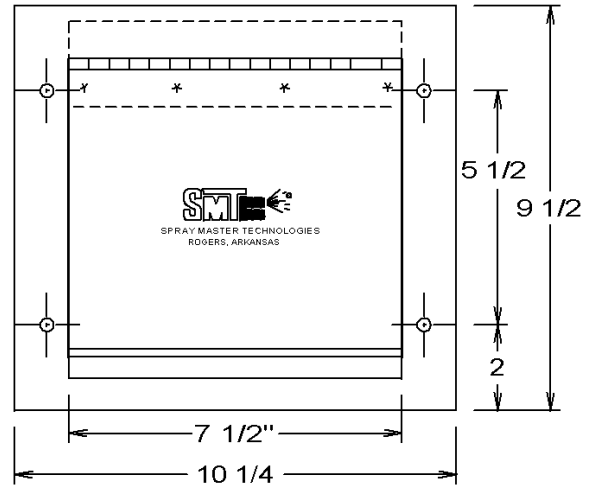


SMT300-5202

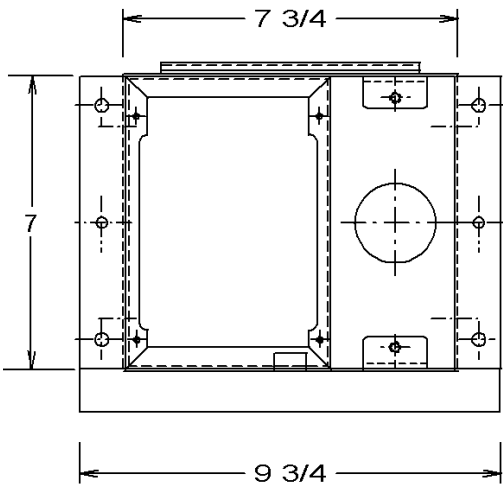
\*Prices and Specifications are subject to change without prior notice.



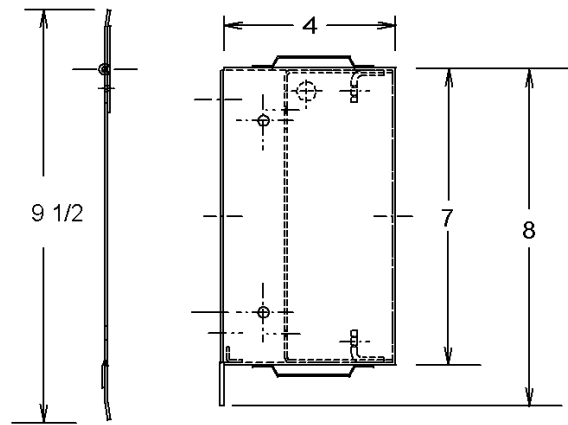
PLAN VIEW



Front View with door panel installed



FRONT VIEW

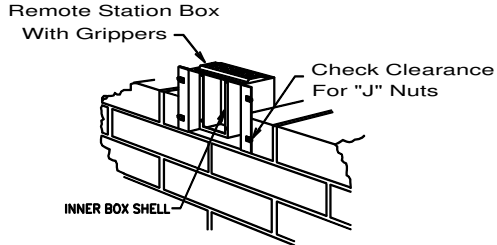


Door Panel

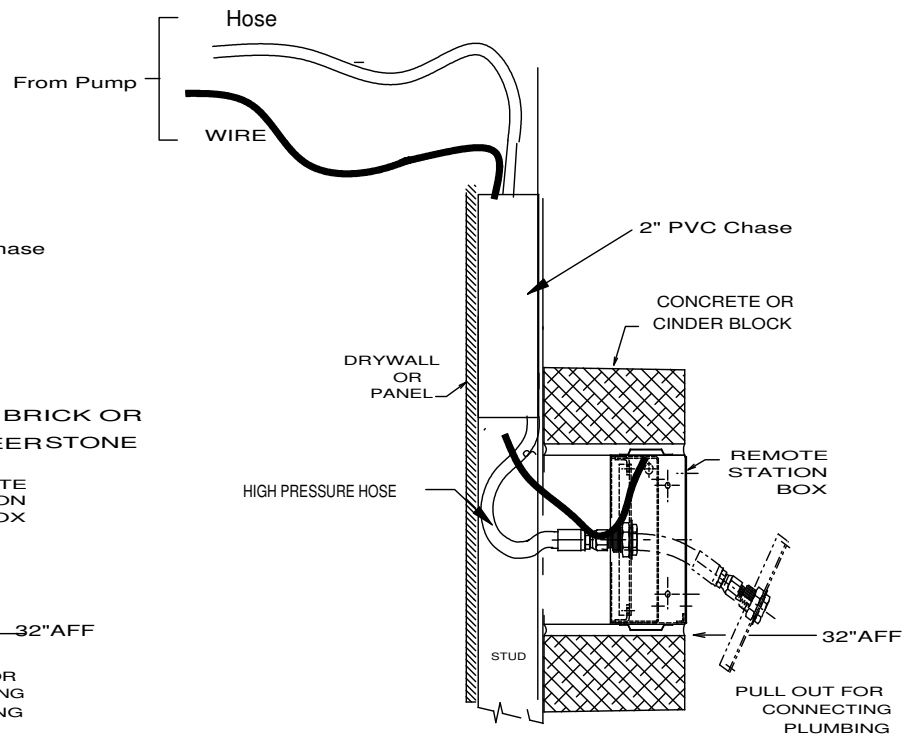
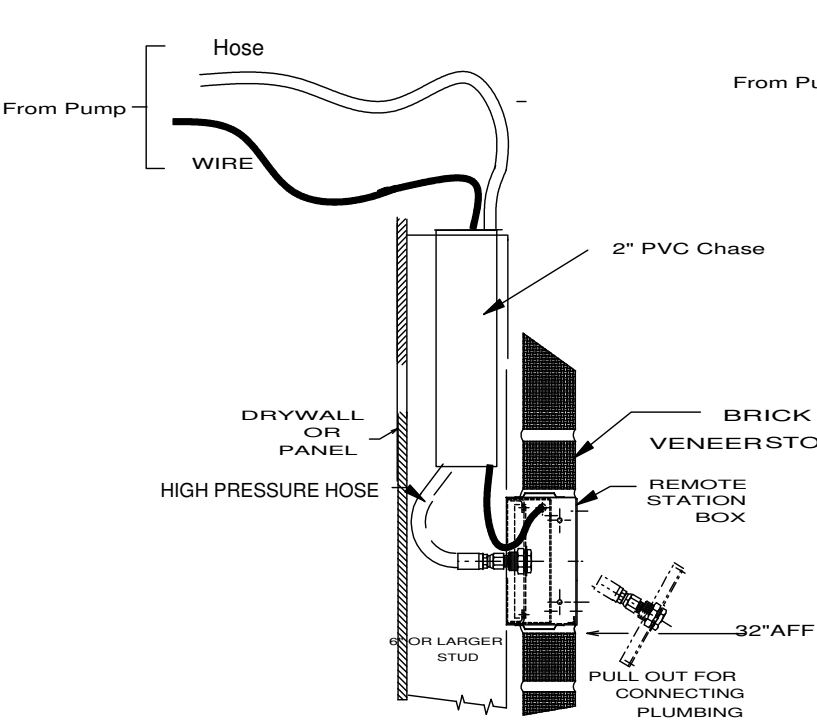
SIDE VIEW

NOTE: BOX IS SHOWN EMPTY OF CONTROL PANEL AND OTHER PARTS FOR CLARIFICATION

# SMT - New Masonry Remote



*TYPICAL BRICK OR BLOCK WALL INSTALLATION*



**Note: 2" PVC CHASES ARE REQUIRED FOR EACH REMOTE STATION AND ARE NOT QUOTED OR SUPPLIED BY SMT**