



PRODUCT: _____

SKU NUMBER: _____

QUANTITY: _____



FEATURES

- Thermal Relief Valve 120°F / 49°C Max Water Temp
- Powder Coated Gun Hanger
- Hose Hanger
- Chemical Basket
- Adjustable Single Chemical Injection
- 35 ft GFCI Power Cord
- 30 ft Steel Braided High Pressure Hose
- 36 in Stainless Spray Gun and Wand Assembly
- 3 Cylinder CAT® SuperFlow Plunger Pump
- Industrial 2HP Totally Enclosed, Fan Cooled Motor
- 115Volt / 60Hz / 1 phase / 15 Amps
- 850 psi / 2.9 gpm
- 1100 psi / 2.2 gpm

SMT - 1100PE Portable Pressure Washer

300-5020

2.2 gpm / 8.3 lpm @ 1100 psi / 76 bars

2.9 gpm / 11 lpm @ 850 psi / 59 bars

Spray Master Technologies®

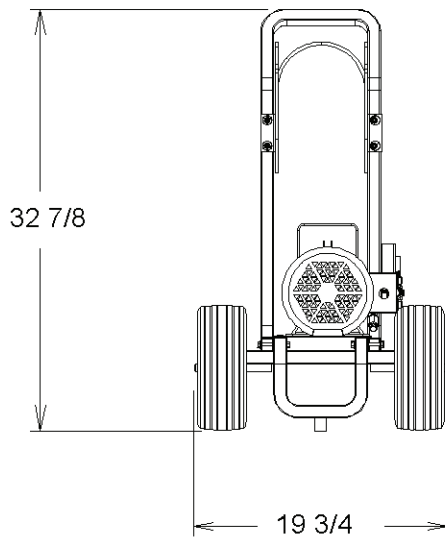
TOLL FREE: 800-548-3373

115 E. Linden • Rogers, Arkansas 72756 USA
(479) 636-5776 • Fax: (479) 636-3245

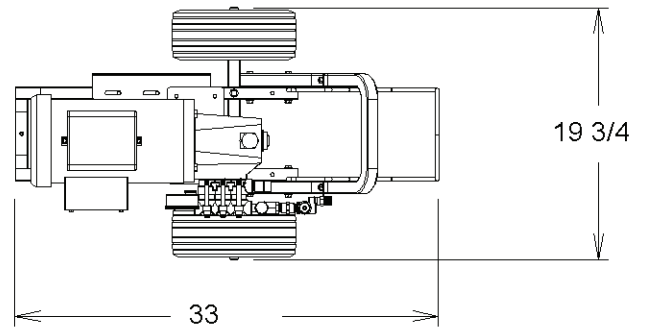
www.spraymastertech.com



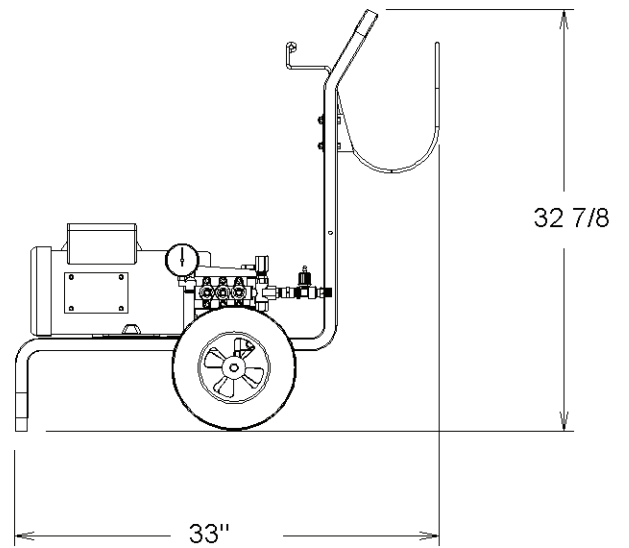
SMT - 1100PE Portable Pressure Washer



FRONT VIEW



TOP VIEW



SIDE VIEW

Equipment Specifications

Plumbing

3/4" / 2cm Hose Bib with 5 gpm / .14 Lpm
@ 30psi / 20.6 bars. 120°F / 49°C

Electrical

115V, 16A dedicated circuit