

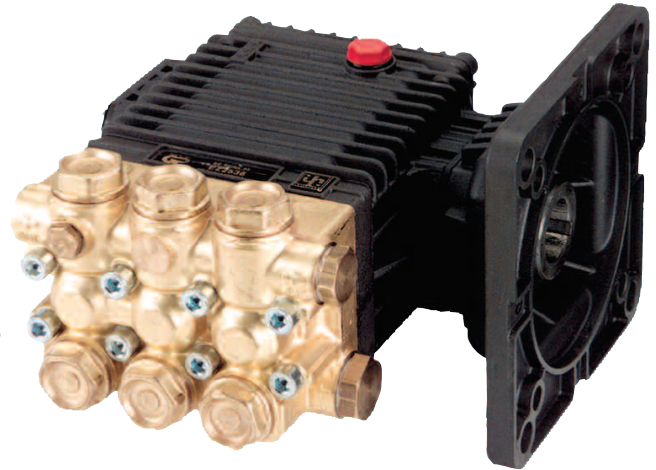
GENERAL PUMP A member of the Interpump Group

EZ Series 44 E

2500 PSI, Triplex Plunger Pump

FEATURES

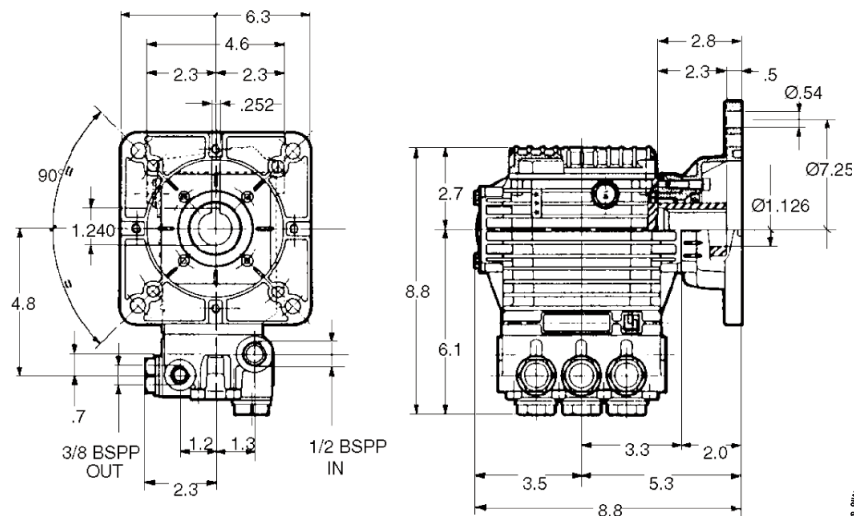
- Solid ceramic plunger design
- NEMA 184C mounting flange
- Forged brass manifold with an exclusive lifetime warranty and 4:1 hydrostatic rating
- Die-cast, anodized aluminum, oil-bath crankcase
- Premium roller bearing
- Unitized stainless steel inlet and discharge valves
- Ideal for all general pressure cleaning and washing applications
- Available in "L" left-handed versions



SPECIFICATIONS

Pump Model	EZ2536E	EZ2542E	EZ2545E	EZ2555E
Maximum Volume	3.6 GPM	4.2 GPM	4.6 GPM	5.5 GPM
Maximum Discharge Pressure	2500 PSI			
Maximum Pump Speed	1750 RPM		3400 RPM	
Maximum Inlet Pressure	125 PSI			
Maximum Inlet Vacuum	3 ft. water (2.6 in. Hg)			
Plunger Bore	.708 in. / 18 mm		.591 in. / 15 mm	
Plunger Stroke	.433 in. / 11 mm	.512 in. / 13 mm	.433 in. / 11 mm	.512 in. / 13 mm
Crankcase Oil Capacity	14.0 oz.			
Maximum Fluid Temperature	165° F			
Inlet Port Thread	1/2" BSPP-F			
Discharge Port Thread	3/8" BSPP-F			
Shaft Diameter	1.125 in. / 28.5 mm			
Weight	18.5 lbs.			
Dimensions	8.8 in. x 8.8 in. x 6.3 in.			

DIMENSIONAL DRAWING



Ref 300307 Rev. D
02-13

General Pump
is a member of
the Interpump Group

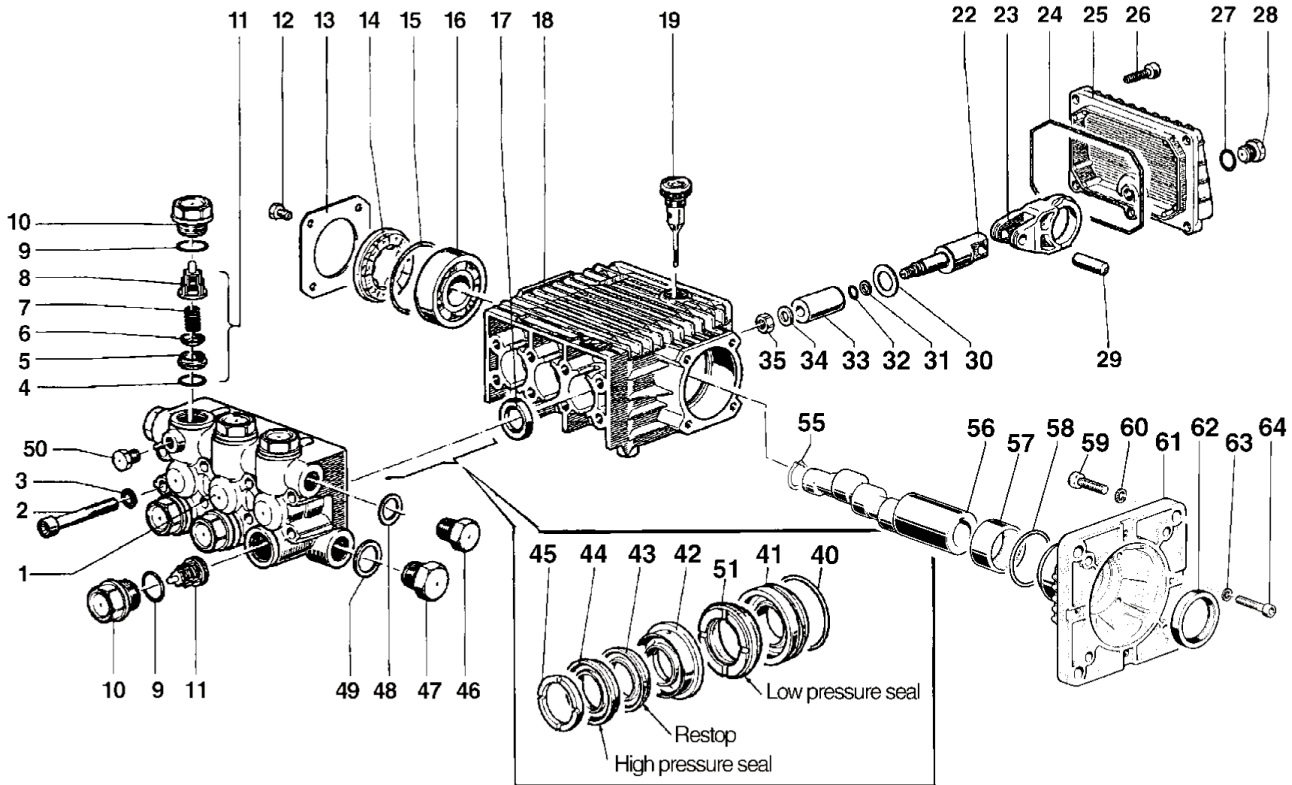


TRIPLEX

TRIPLEX

EZ Series 44 E 2500 PSI

GENERAL PUMP A member of the Interpump Group



PARTS LIST

ITEM	PART NO.	DESCRIPTION	KIT NO.	QTY.	ITEM	PART NO.	DESCRIPTION	KIT NO.	QTY.	ITEM	PART NO.	DESCRIPTION	KIT NO.	QTY.
1.	44120041	Manifold, 15 mm		1	24.	90392000	O-ring		1	44.	90262000	Packing, 15mm	88,130	3
	44120441	Manifold, 18 mm		1	25.	44160022	Rear Cover		1		90268200	Packing, 18mm	127,131	3
2.	99317500	Screw		8	26.	99183700	Screw		5	45.	51100051	Head Ring, 15mm	90,130	3
3.	96701400	Washer		8	27.	90358500	O-ring		1		44100151	Head Ring, 18mm	129,131	3
4.	90384100	O-ring	123	6	28.	98204100	Cap Screw		1	46.	98210000	Cap Screw		1
5.	36200366	Valve Seat	123	6	29.	97734000	Pin		3	47.	98217600	Cap Screw		1
6.	36200176	Valve	123	6	30.	96735000	Washer		3	48.	96738000	Washer		1
7.	94737600	Spring	123	6	31.	90502200	Anti-extrusion Ring		3	49.	96751400	Washer		1
8.	36202551	Valve Cage	123	6	32.	90357200	O-ring		3	50.	98196600	Cap Screw		1
9.	90384700	O-ring	124	6	33.	52040009	Plunger, 15 mm		3	51.	90261700	Seal, Low Pressure, 15 mm	88,130	3
10.	98222600	Cap Screw	124	6		44040109	Plunger, 18 mm		3		90268400	Seal, Low Pressure, 18 mm	127,131	3
11.	36711501	Valve Assembly	123	6	34.	96700800	Washer		3	55.	90063500	Cir-clip		1
12.	99180700	Screw		4	35.	92221600	Nut		3	56.	44021465	Crankshaft (EZ2536E, EZ2545E)		1
13.	50150074	Bearing Cover		1	40.	90361200	O-ring, 15 mm	125,130	3		44021665	Crankshaft (EZ2542E, EZ2555E)		1
14.	44211801	Spacer		1		90361200	O-ring, 18mm	126,131	3	57.	91856800	Bearing		1
15.	90409700	O-ring		1	41.	44080070	Packing Retainer, 15mm	125,130	3	58.	90409700	O-ring		1
16.	91832800	Ball Bearing		1		44080170	Packing Retainer, 18mm	126,131	3	59.	99460000	Screw		4
17.	90161400	Oil Seal	23	3	42.	52216670	Interm. Ring, 15 mm	89,130	3	60.	96719500	Washer		4
18.	44010022	Crankcase		1		44216170	Interm. Ring, 18 mm	128,131	3	61.	10050422	Electric Flange		1
19.	98210300	Oil Dip Stick		1	43.	90262200	Packing, 15mm	88,130	3	62.	90169000	Crankshaft Oil Seal		1
22.	44050066	Plunger Guide		3		90268300	Packing, 18mm	127,131	3	63.	96693800	Washer		4
23.	44030022	Connecting Rod		3						64.	99191200	Screw		4

REPAIR KITS

KIT NO.	All K23	(15mm) (18 mm) K88 or K127	(15mm) (18 mm) K89 or K128	(15mm) (18 mm) K90 or K129	All K123	All K124	(15mm) (18 mm) K125 or K126	(15mm) (18 mm) K130 or K131
ITEM NO's INCLUDED IN KIT	17	43, 44, 51	42	45	4, 5, 6, 7, 8 (11)	9, 10	40, 41	40, 41, 42, 43, 44, 45, 51
NUMBER OF ASSEMBLIES IN KIT	3	3/6	3	6	6	6	3	1
NUMBER OF CYLINDERS KIT WILL SERVICE	3	3	3	3	3	3	3	1

TORQUE SPECS*

Pos.	Ft/lb	N-M
2	14.7	20
10	95.9	130
12	7.3	10
26	7.3	10
28	14.7	20
35	11.0	15
46	29.4	40
47	29.4	40
50	9.6	13
59	14.7	20
64	7.3	10

* Decrease torque by 20% if threads are lubricated