



PRODUCT: _____

SKU NUMBER: _____

QUANTITY: _____

SMT - 600 Kennel Package



300-5350

2.2 gpm / 8.3 lpm @ 1100 psi / 76 bars, 115V

2.9 gpm / 11 lpm @ 850 psi / 59 bars, 115V



FEATURES

- 2hp Motor TEFC, 1725rpm, 1 phase Draws 9A
- 3 cylinder CAT® super flow plunger pump
- SMT-200-RW manual rewind hose reel
- Quick coupler set (connects hose to unit)
- Quick coupler set (connects gun to hose)
- 50ft/15.3m high pressure hose (steel-braided)
- Anti-Siphon and backflow protection/float tank
- Water level float switch assembly
- Dual chemical selector and metering controls
- Chemical injection flush feature
- 2- 1gal/3.8L chemical baskets (wall mount)
- Pressure gauge, 2000psi/138bars, liquid-filled
- Stainless steel cover and frame
- Powder coated wall mount brackets with gun hanger
- 6ft/2m- water inlet supply hose
- 4ft/1.3m power cord with GFCI
- Maintenance kit: water filter, replacement filter and 1 bottle hydraulic oil
- Shipping weight: 239lb/104-.3kg
- 24" Heat guard spray gun with vari-nozzle

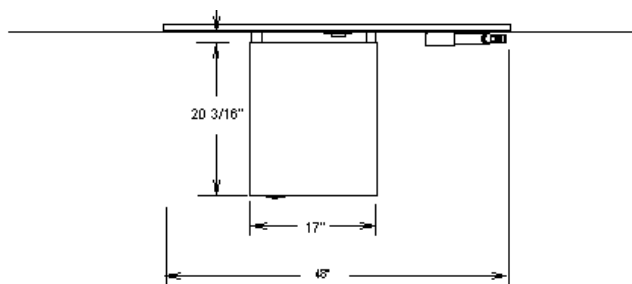
TOLL FREE: 800-548-3373

115 E. Linden • Rogers, Arkansas 72756 USA
 (479) 636-5776 • Fax: (479) 636-3245

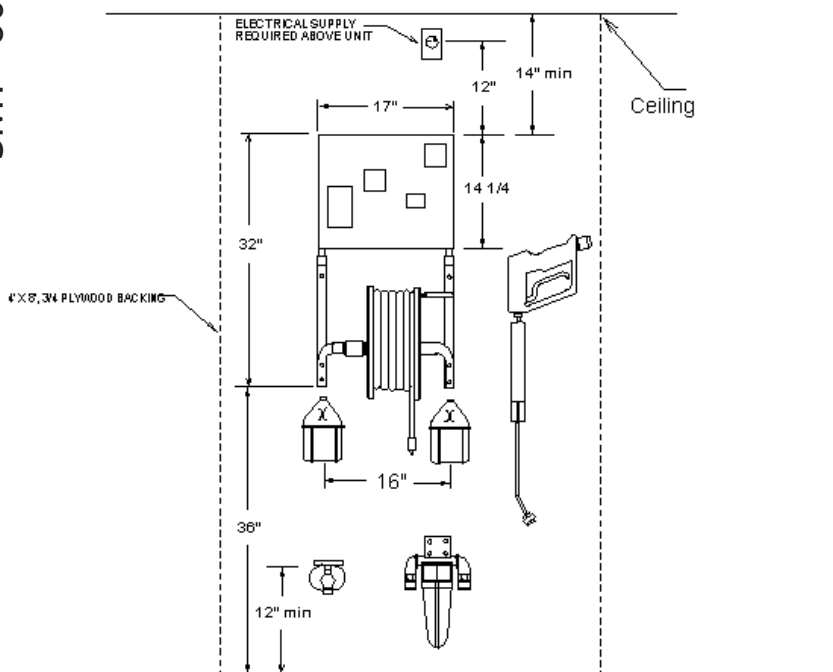


www.spraymastertech.com

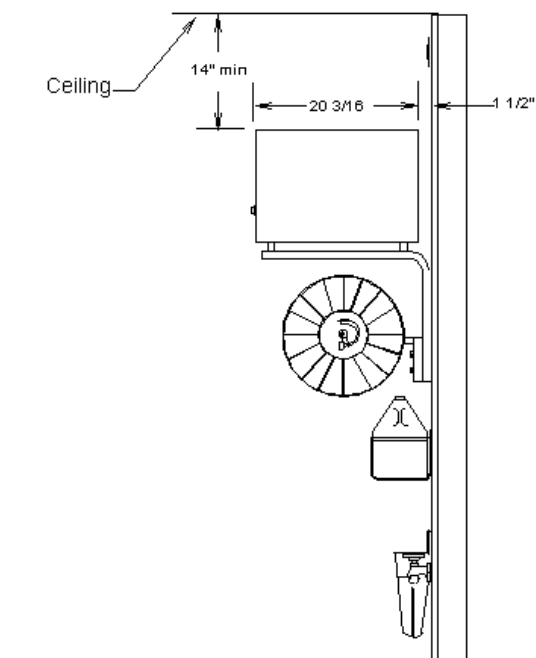
SMT - 600 Kennel Package



TOP VIEW



FRONT VIEW



SIDE VIEW

Equipment Specifications

Clearances

Left side	12"/30 cm
Right side	12"/30 cm
Overhead	14"/35 cm
Floor	36"/91 cm
Front	36"/91 cm

Plumbing

3/4"/2cm Hose Bib with 5gpm/.14Lpm @ 30psi/20.6bars. 120°F/49°C

Electrical

115V, 16A dedicated circuit or 208-230V, 15A GFCI.

Installation Specifications

Electrical:

One (1) 115V, 60hz, single phase, 20A, 'Dedicated Circuit' with standard receptacle. NOTE: For 208V or 230V units a 15A wall receptacle is required.

Water:

One (1) warm water outlet 120°F/49°C MAX with standard 3/4"/1.9cm hose bib with shut-off valve. A pressure gauge in the water line can be helpful although it is not mandatory. A minimum of 5 gal. / 19L per minute and a line pressure not less than 30psi/20.6bars, is required.

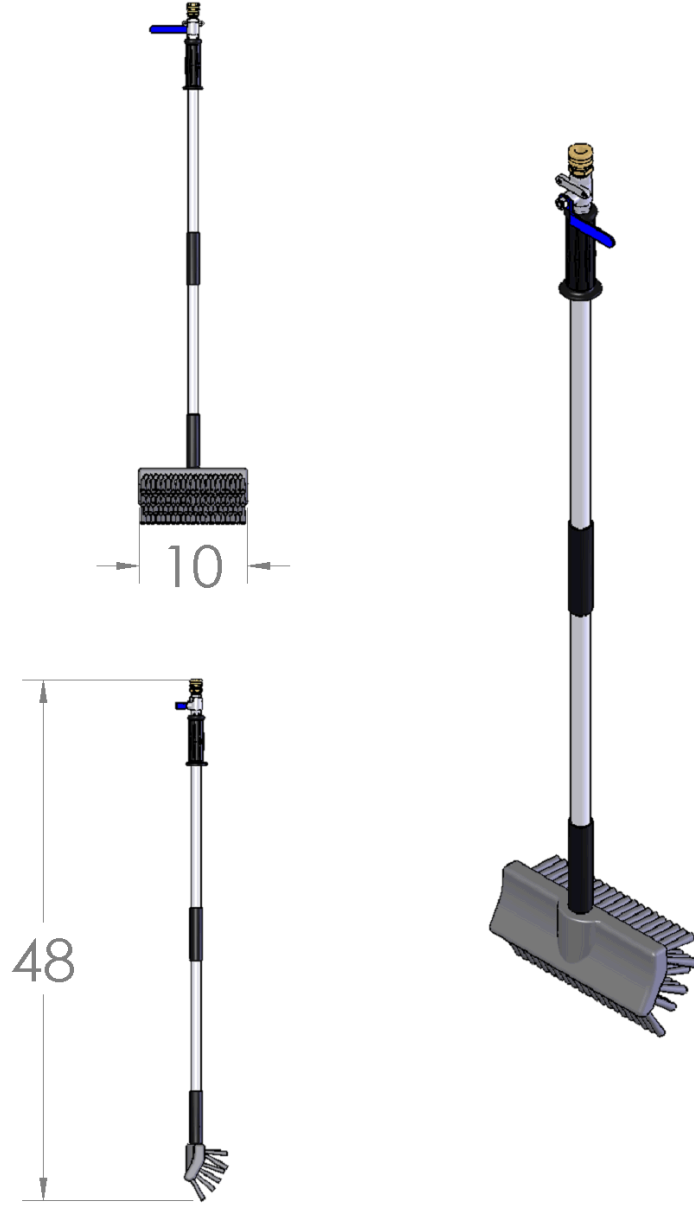
Location:

Heated utility room or closet with ventilation. Minimum 14in/.35m clearance above unit required to remove cover. The cover must be removed for servicing the unit. The unit can be serviced without removing it from the wall.

General Recommendations:

Floor drains are essential in new facilities to receive the greatest utilization and maximum efficiency of your SPRAY MASTER Pressure Washer. Floor materials and wall coverings which can be cleaned with pressurized water are desirable. Locate electrical outlets above washing areas.

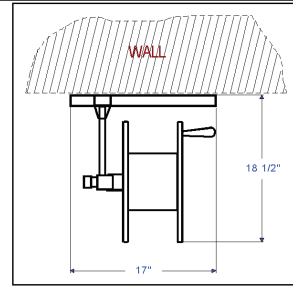
SMT - Wall and Tile Brush



SMT -200RWC Wall Mounted Hose Reel

Model: SMT 200RWC

Wall Mount Hose Reel. Manual rewind, Holds up to 100' of 3/8" high pressure hose, mounts on 16" center.



CLEARANCES

Front - 36"

Right side - 12"

