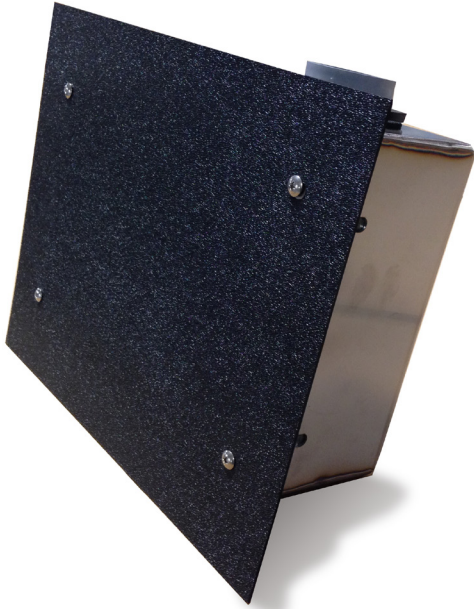




PRODUCT: _____

SKU NUMBER: _____

QUANTITY: _____

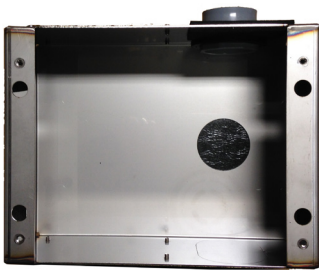


FEATURES

- Stainless Steel Sleeve with Mortar Grippers
- Rear Entry
- Front Port

SMT - Universal Sleeve

300-5268 Universal Sleeve

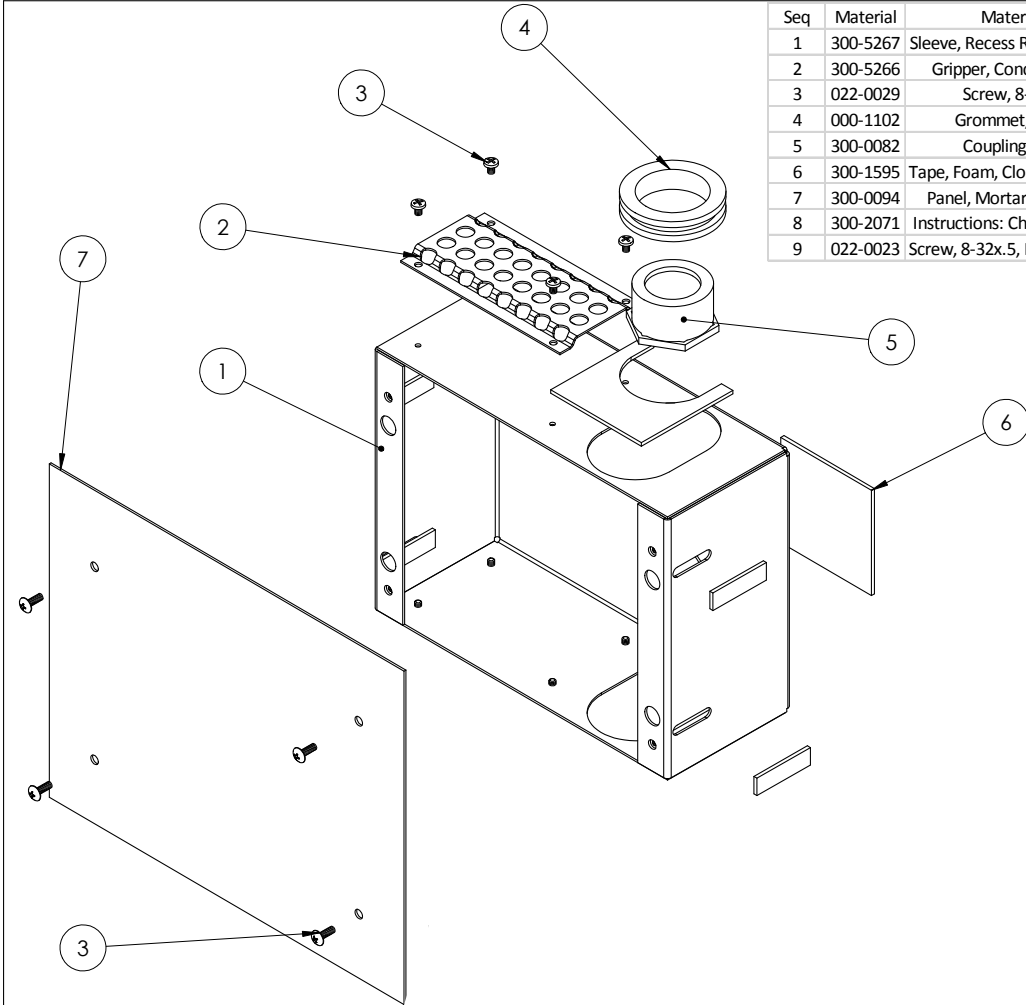
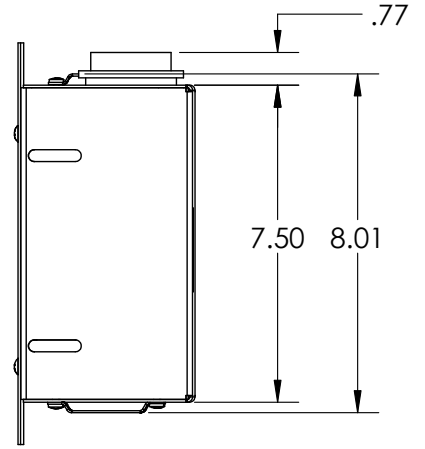
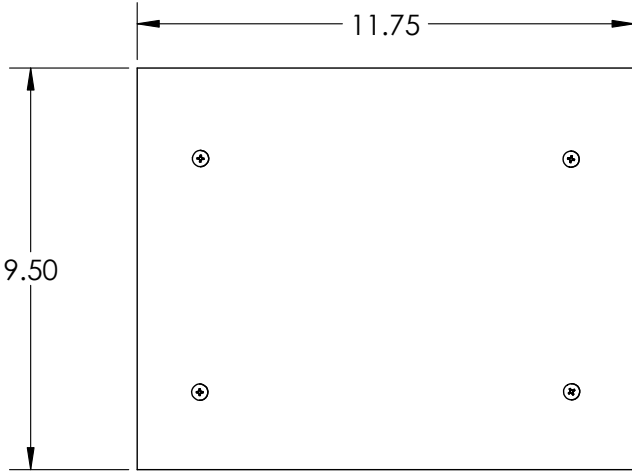
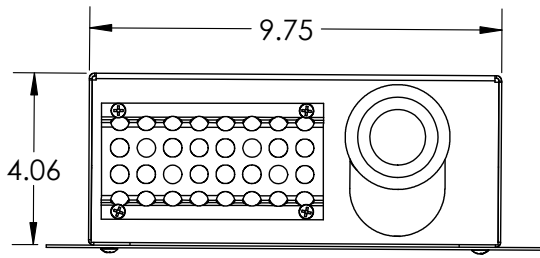


TOLL FREE: 800-548-3373

115 E. Linden • Rogers, Arkansas 72756 USA
(479) 636-5776 • Fax: (479) 636-3245

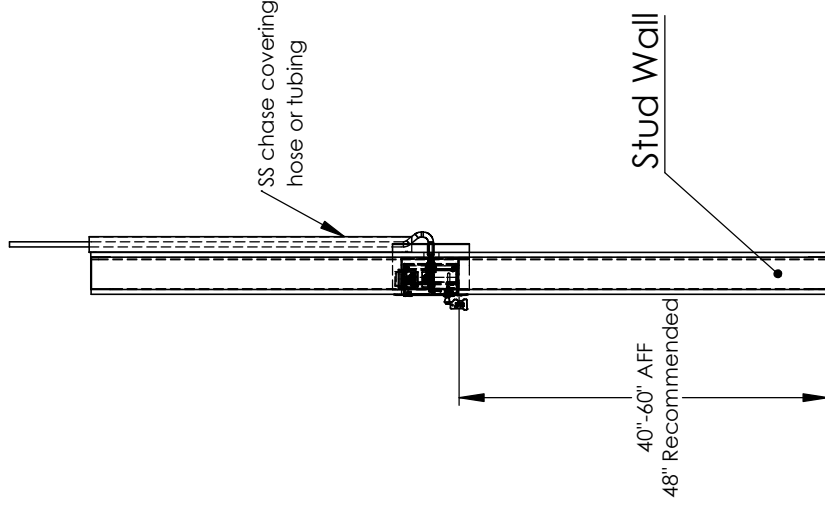
www.spraymastertech.com

SMT - Universal Sleeve

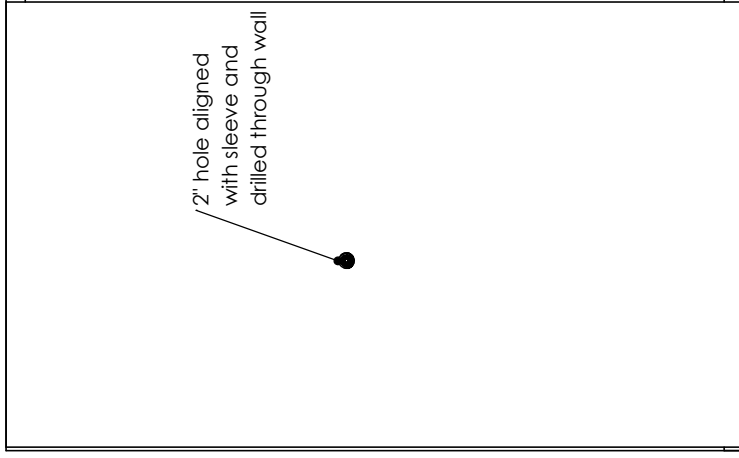


Seq	Material	Material Description	Quantity	U/M
1	300-5267	Sleeve, Recess Remote Str w/o Grippers	1	EA
2	300-5266	Gripper, Concrete, Remote Sleeve	2	EA
3	022-0029	Screw, 8-32x.25, PHPS, SS	4	EA
4	000-1102	Grommet, Rubber, 1.75x2.5	1	EA
5	300-0082	Coupling, PVC, 1.5"x1.25"	1	EA
6	300-1595	Tape, Foam, Closed Cell, Blk, Adhsv Bckd	8	in
7	300-0094	Panel, Mortar Guard, Recess Sleeve	1	EA
8	300-2071	Instructions: Chase Instl, Masonry Rcsd	1	EA
9	022-0023	Screw, 8-32x.5, PHTS, SS	4	EA

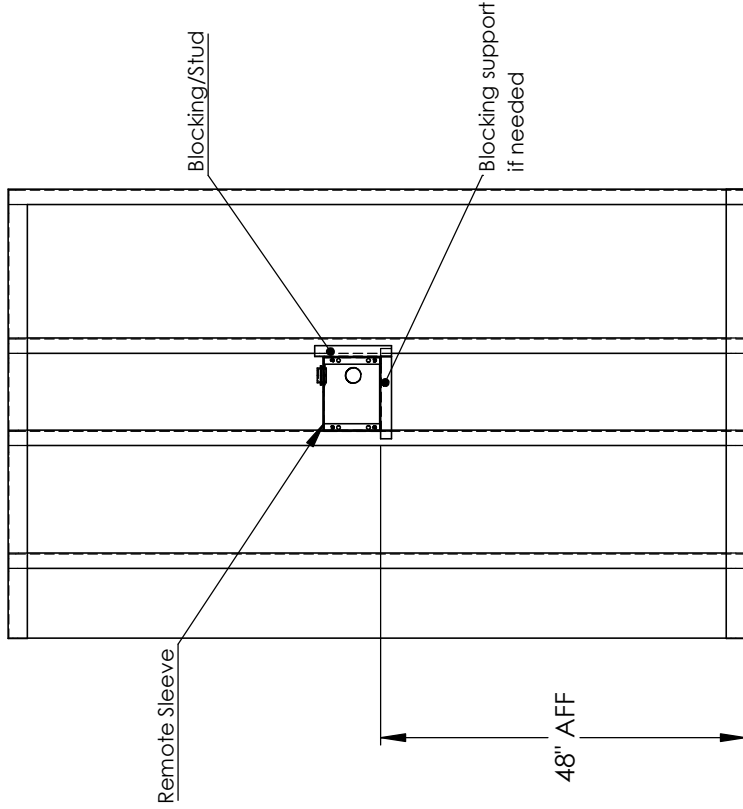
SMT - Universal Sleeve



Side View



Rear View



Front View Inside Studded Wall

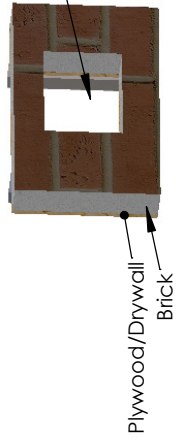
Instructions for studded walls:

- 1.-Remove the remote sleeve instruction sheet cover.
- 2.-Remove the black foam from the back and inside of the sleeve. Remove the two grippers if needed.
- 3.-Mount the bottom of the remote sleeve at 48" above finished floor.
- 4.-Place blocking or stud on the right hand side of the sleeve.
- 5.-Ensure sleeve is level and mounted flush with front of the studs. Secure sleeve to the studs or blocking on both sides using screws on the inside of sleeve through the slotted holes.
- 6.-Place a blocking on the lower side of sleeve for additional support if needed.
- 7.-Drill 2" hole aligned with hole on the back side of the studded for installation of tubing or hose at later time.
8. Call for Technical Support (800)548-3373 Ext 6487.

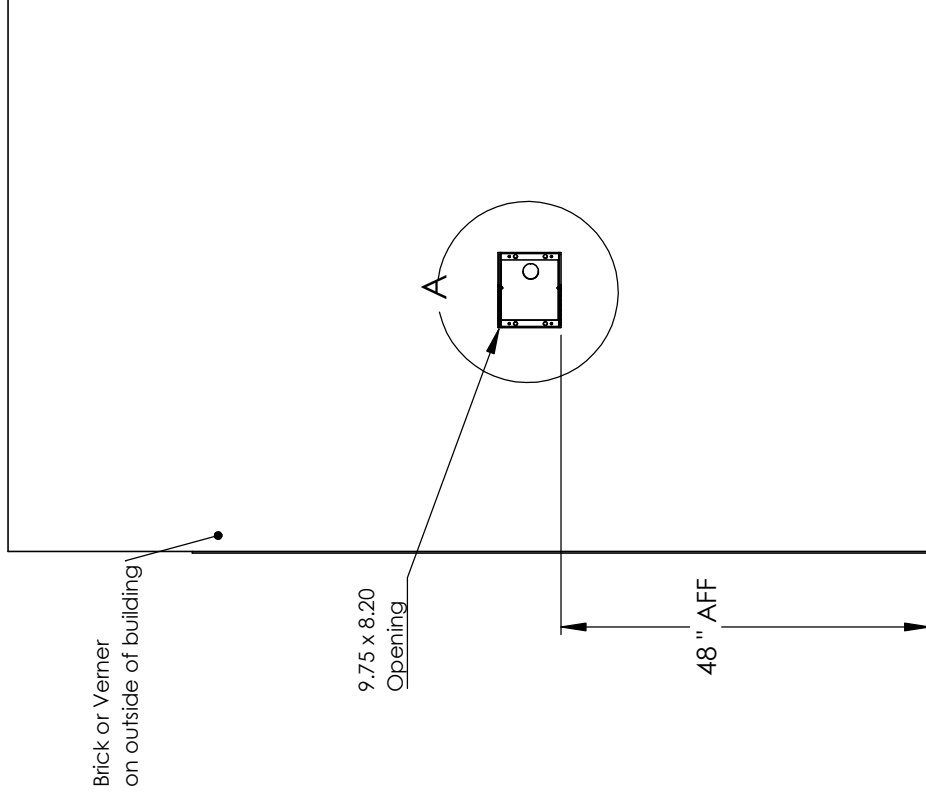
Remote Sleeve installed in studded wall with drywall rear entry.

SMT - Universal Sleeve

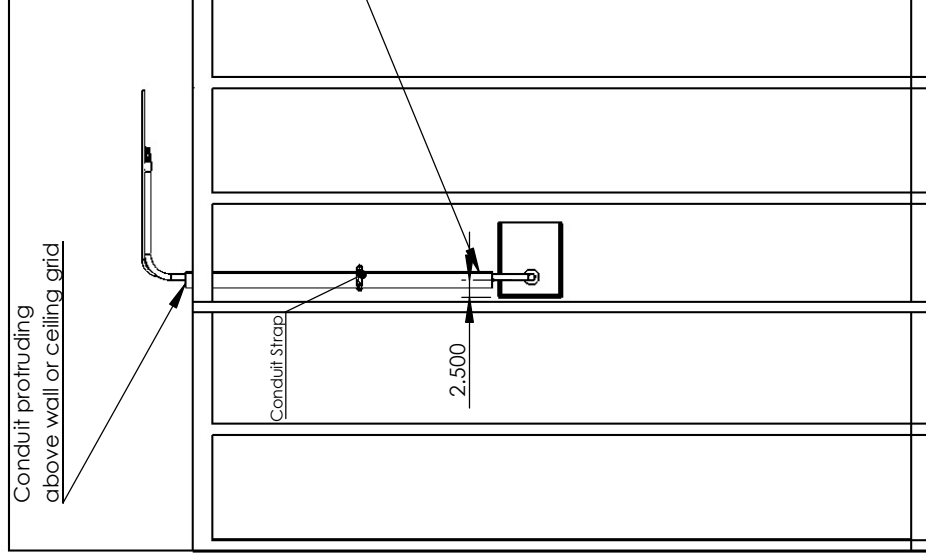
Cut 9.75" x 8.20" opening through the brick, plywood, and/or drywall, to allow access to inside of the studded wall



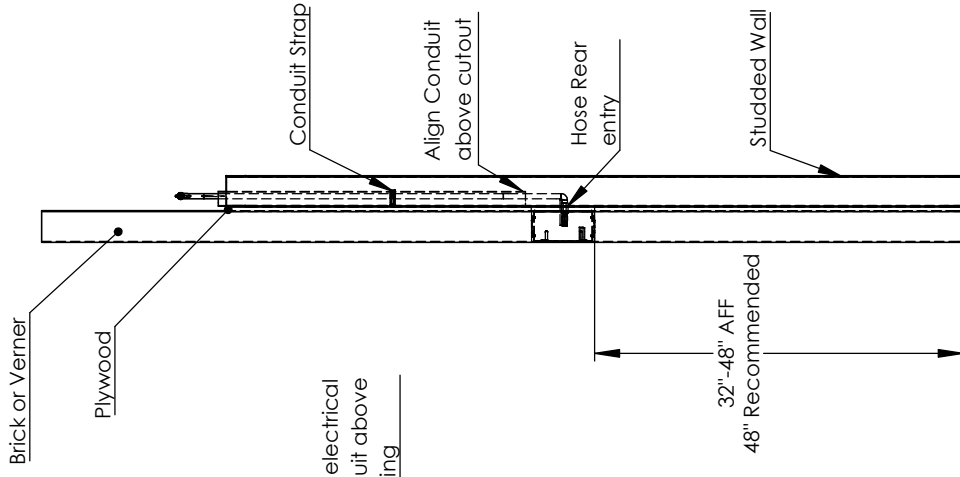
Detail A



Front View



Rear view looking inside drywall wall



Side View

Note: 2" Electrical conduit chases are required for each sleeve and are not quoted or supplied by SMT.

Instructions for Brick or Verner walls:

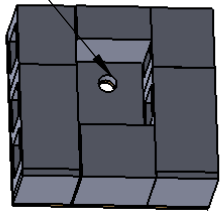
- 1.-Cut or block bottom of 9.75" x 8.20" opening 48" above finished floor.
- 2.-Remove the black foam from the back side of sleeve covering hole.
- 3.-Ensure the depth of the opening is 4.25" Minimum. Cut opening between the outside brick and studded wall on the inside of building.
- 4.-Block or mount sleeve in opening and ensure the sleeve is level and flush with front of the brick or stone verner wall.
- 5.-Align a 2" rigid non metallic conduit chase above the opening inside the drywall centered 2.50 inches from the right of the opening. Route the conduit chase up through the top of the studded wall above the ceiling grid. Secure the conduit so it will not move or become misaligned.
- 6-Call for Technical Support (800)548-3373 Ext 6487.

Remote Sleeve Instruction in Brick or Stone Verner Sheet Rear Entry

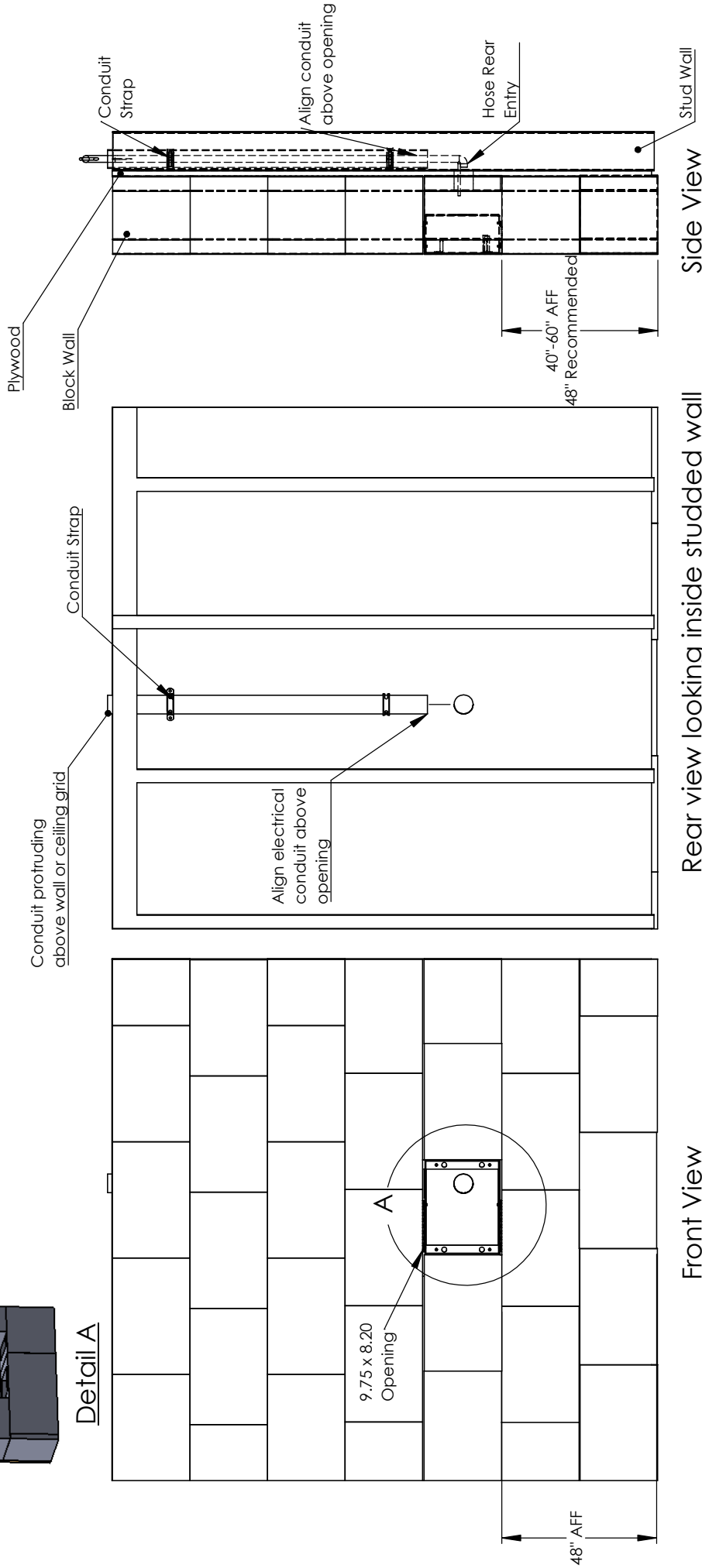


SMT - Universal Sleeve

Drill a 2 inch hole, 2.5 inches from right side of opening thru the masonry wall, plywood, and/or drywall, to allow access to inside of studded wall ensuring the hole is aligned with opening in sleeve



Detail A



Note: 2" Electrical conduit chases are required for each sleeve and are not quoted or supplied by SMT.

Instructions for block wall on outside of studded walls:

- 1.-Cut or block bottom of the 9.75" x 8.20" opening 48" AFF.
- 2.-Remove black foam from the back side of sleeve covering hole.
- 3.-Ensure the depth of the opening is 4.25". Drill a 2 inch hole, 2 1/2 inches from right side of opening thru the masonry wall, plywood, and/or drywall, to allow access to inside of studded wall ensuring the hole is aligned with opening in sleeve.
- 4.-Block or mount sleeve in opening. Ensure sleeve is level, and flush with the front of the masonry wall. Ensure the opening in the sleeve is aligned with hole drilled through wall structures.
- 5.-Align a 2" rigid non metallic conduit chase above the opening inside the studded wall.
- 6.-Route the conduit chase up through the top of the studded wall above the ceiling grid. Secure the conduit chase so it will not move or be misaligned.
7. Call for Technical Support (800)548-3373 Ext 6487.

Remote Sleeve Instruction Sheet Rear Entry In Block Wall into studded wall