



PRODUCT: _____

SKU NUMBER: _____

QUANTITY: _____



300-5258 300 HDR Heavy Duty Hose Reel

FEATURES

- Quick Connect Socket
- 12' High Pressure Supply Hose
- Stainless Steel Spray Gun Hanger (Spray Gun sold separately.)
- Friction Brake
- Locking Reel
- Baked-On, Powder-Coated Finish
- Ergonomic Design
- 10" Semi-Pneumatic Wheels
- Holds Up To 200 ft / 61 m of Hose (Hoses Sold Separately)

SMT - 300HDR Heavy Duty Hose Reel

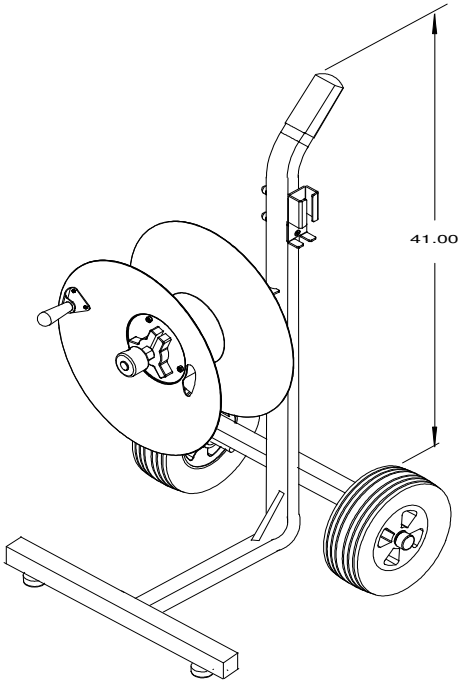


TOLL FREE: 800-548-3373

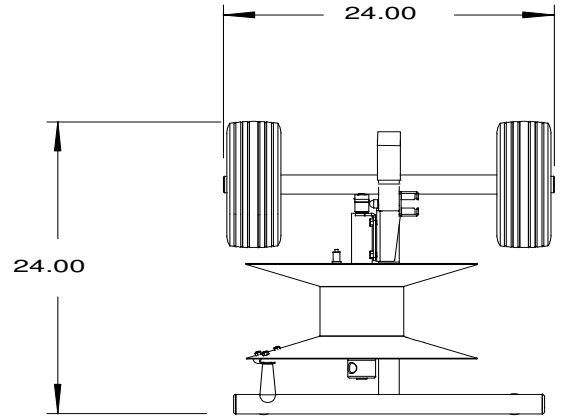
115 E. Linden • Rogers, Arkansas 72756 USA
(479) 636-5776 • Fax: (479) 636-3245

www.spraymastertech.com

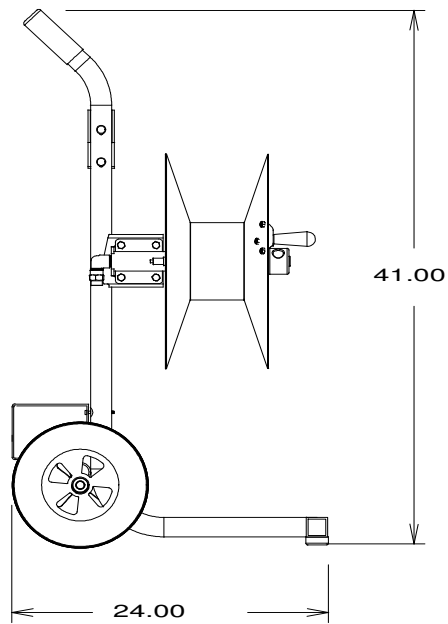
SMT - 300HDR Heavy Duty Hose Reel



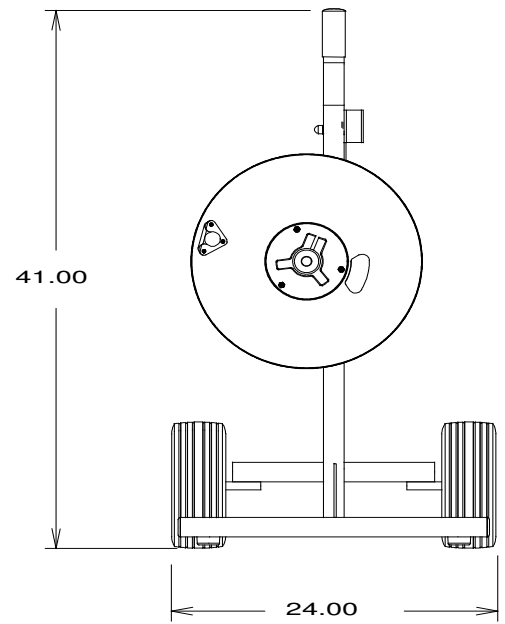
ISOMETRIC VIEW



PLAN VIEW



SIDE VIEW



FRONT VIEW