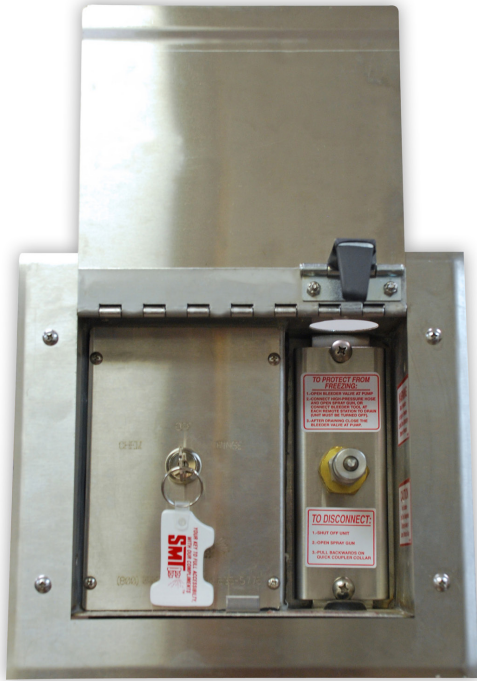




PRODUCT: _____

SKU NUMBER: _____

QUANTITY: _____



300-5233 Remote Station

FEATURES

- Stainless Steel Remote Station
- Shut-Off Quick Connect
- Rear Entry
- 9 Foot Hi-Pressure hose supply
- Front Port
- Non Locking Cover
- Door Catch
- Key Switch Controls

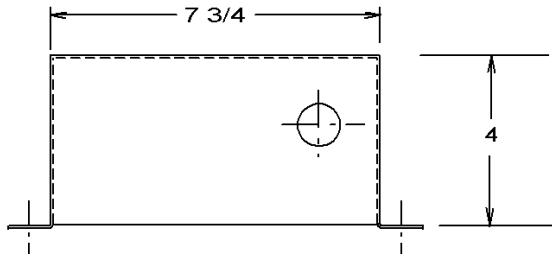
SMT - Remote Station



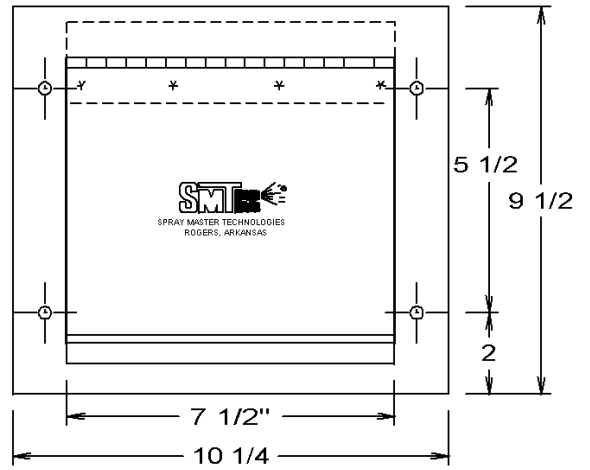
TOLL FREE: 800-548-3373

115 E. Linden • Rogers, Arkansas 72756 USA
(479) 636-5776 • Fax: (479) 636-3245

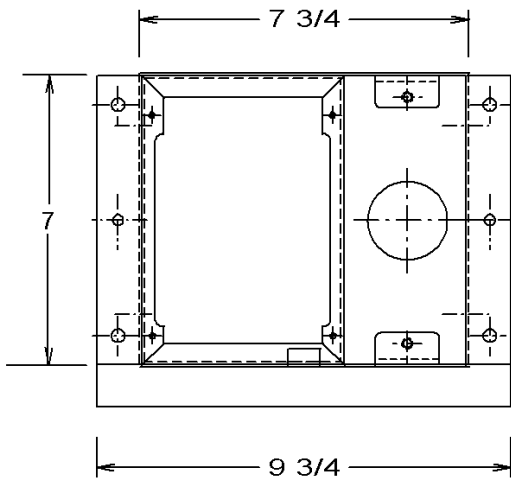
www.spraymastertech.com



PLAN VIEW

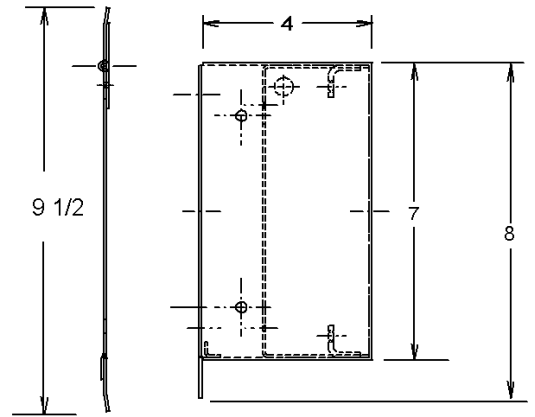


Front View with door panel installed



Front View without door panel installed

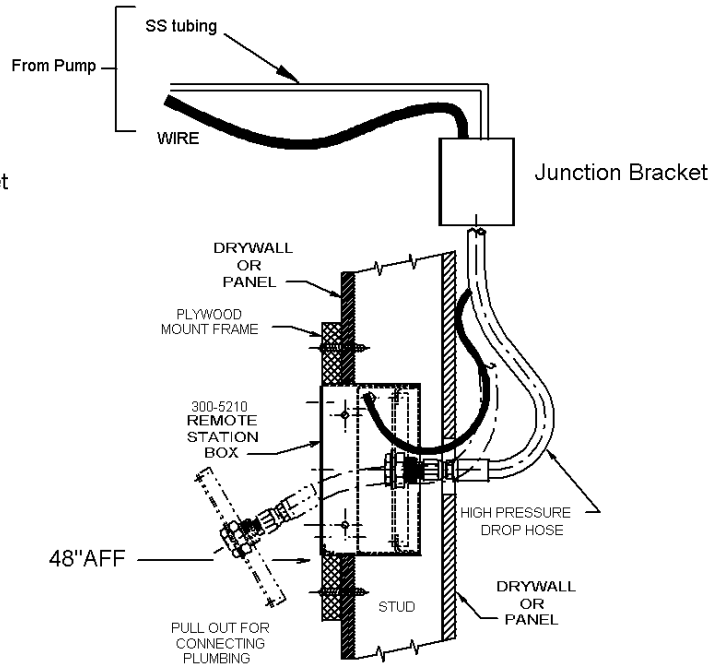
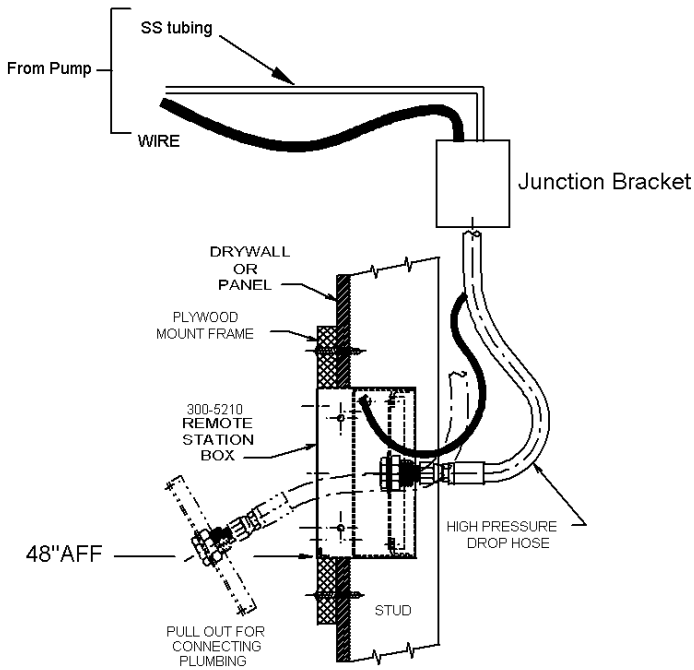
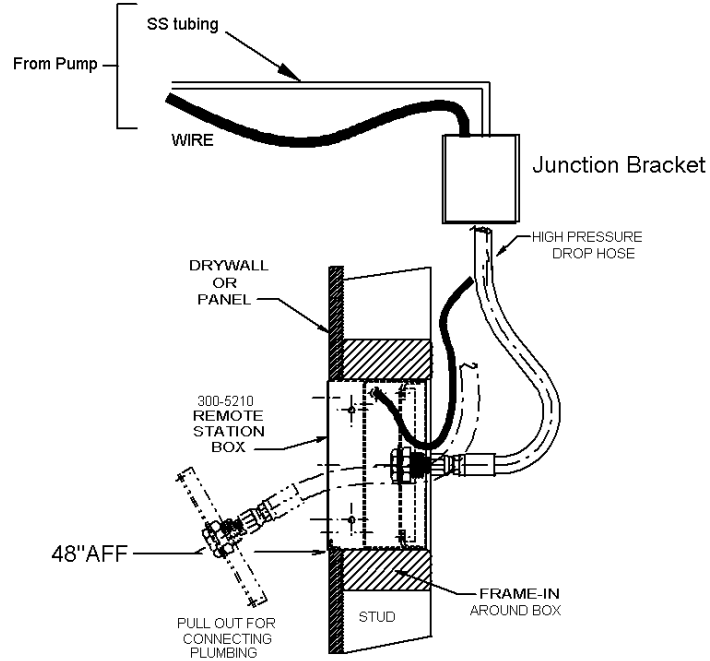
NOTE: BOX IS SHOWN EMPTY OF CONTROL PANEL
AND OTHER PARTS FOR CLARIFICATION



Door Panel

SIDE VIEW

SMT - Remote Station



CS- 5233 B