



PRODUCT: _____

SKU NUMBER: _____

QUANTITY: _____



300-5211 Retro-Fit Existing Masonry Remote

FEATURES

- Stainless Steel Recessed Remote Station for Retro-Fit Existing Masonry
- Shut-off Quick Connect
- Includes Stainless Steel Mounting Plate
- Rear Entry
- High Pressure Hose Supply
- Front Port
- Locking Cover
- Door Catch
- Electronic Controls

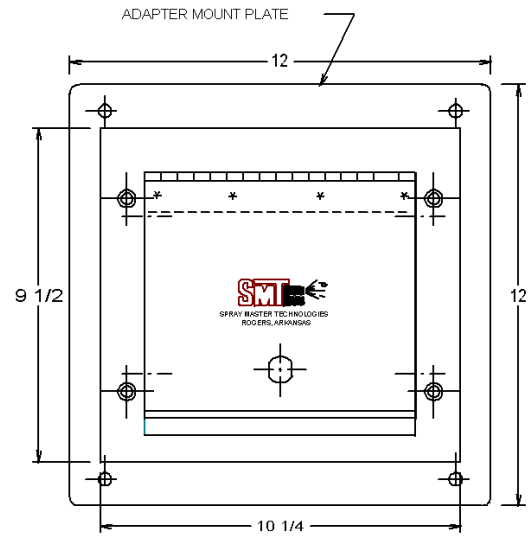
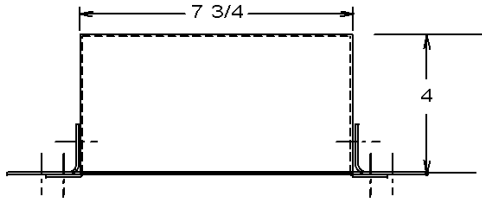
SMT - Retro-Fit Existing Masonry Remote



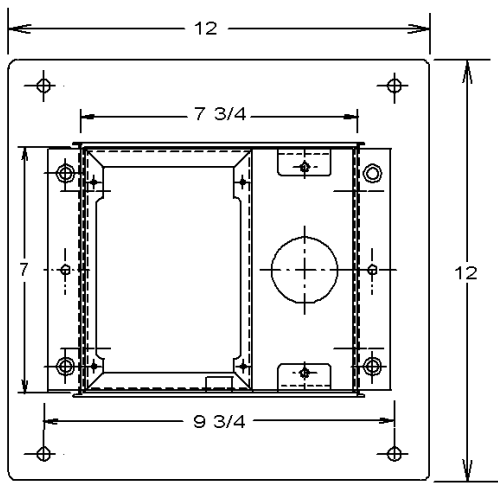
TOLL FREE: 800-548-3373

115 E. Linden • Rogers, Arkansas 72756 USA
(479) 636-5776 • Fax: (479) 636-3245

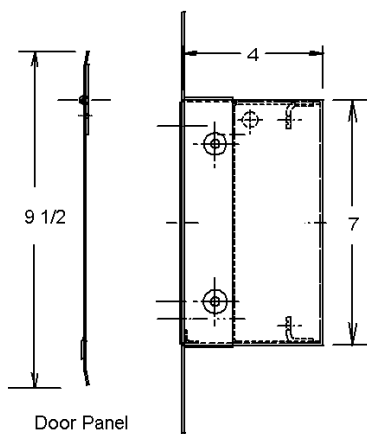
www.spraymastertech.com



Front View with door panel installed



FRONT

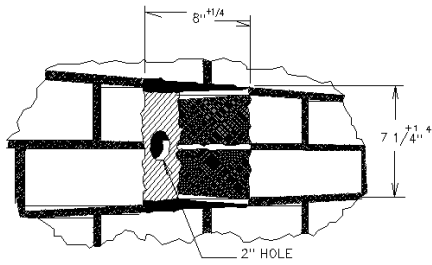


Door Panel

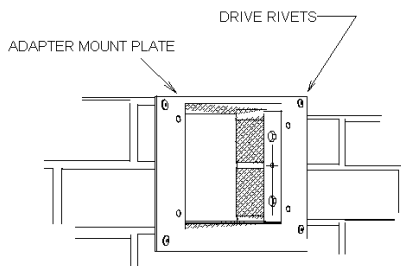
SIDE VIEW

SMT - Retro-Fit Existing Masonry Remote

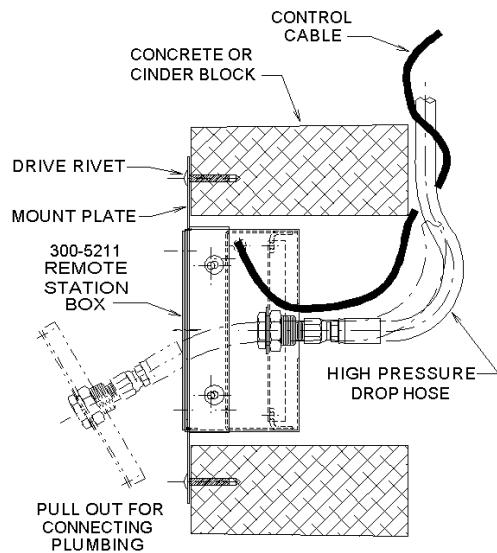
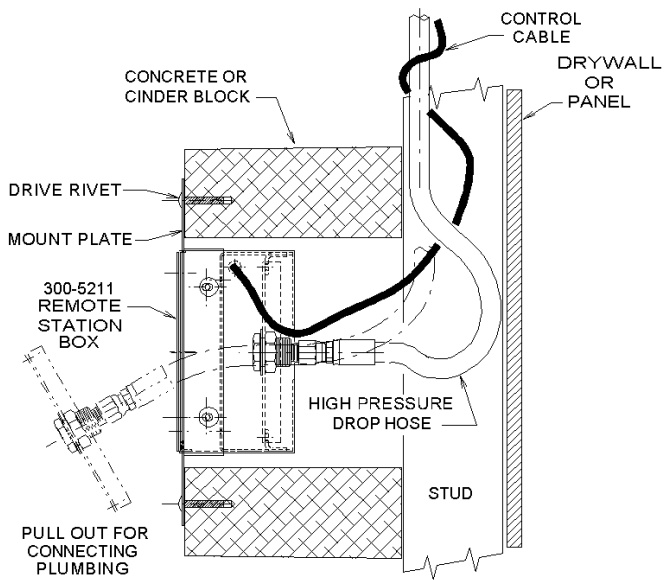
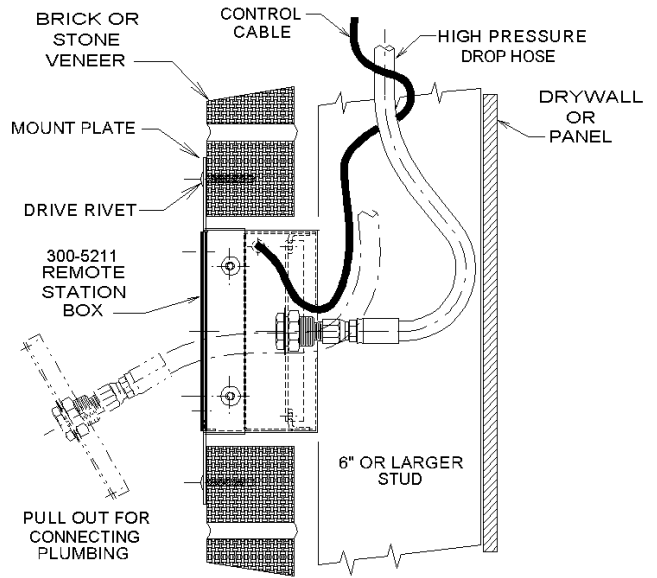
LOCATE RECTANGULAR HOLE IN MASONRY 2 1/2 TO 4 FEET ABOVE GROUND SURFACE.



NOTE: DEPTH OF RECTANGULAR CUTOUT IS 4" PLUS.



TYPICAL EXISTING BRICK OR BLOCK WALL RETROFIT INSTALLATION.



CS- 5211 B