



PRODUCT: \_\_\_\_\_

SKU NUMBER: \_\_\_\_\_

QUANTITY: \_\_\_\_\_



300-5209 New Masonry

**FEATURES**

- Stainless Steel Remote Station with Mortar Grippers
- Shut-off Quick Connect
- Rear Entry
- High Pressure Hose Supply
- Front Port
- Locking Cover
- Door Catch
- Electronic Controls

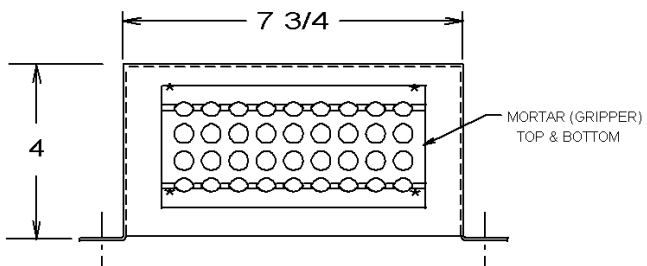
SMT - New Masonry Remote



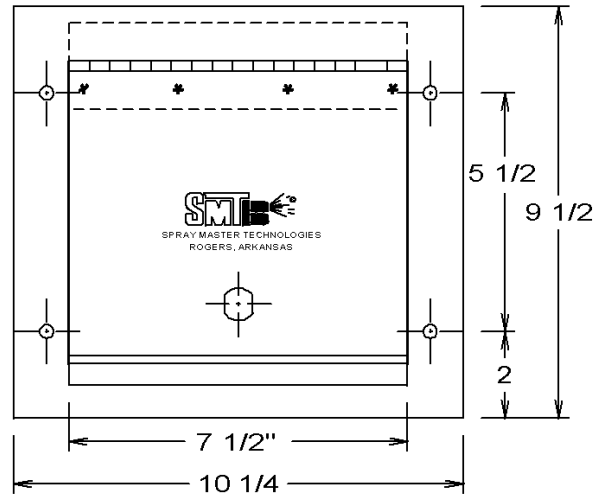
**TOLL FREE: 800-548-3373**

115 E. Linden • Rogers, Arkansas 72756 USA  
 (479) 636-5776 • Fax: (479) 636-3245

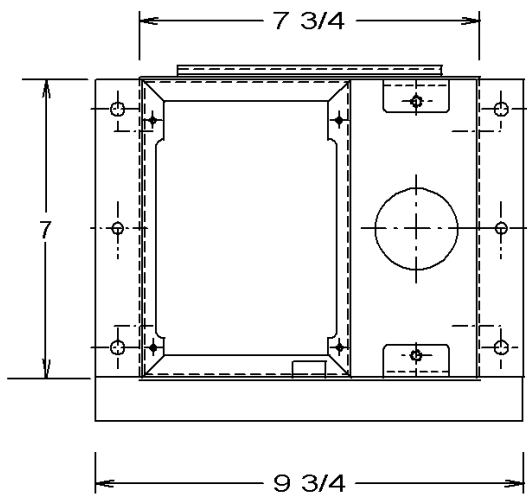
[www.spraymastertech.com](http://www.spraymastertech.com)



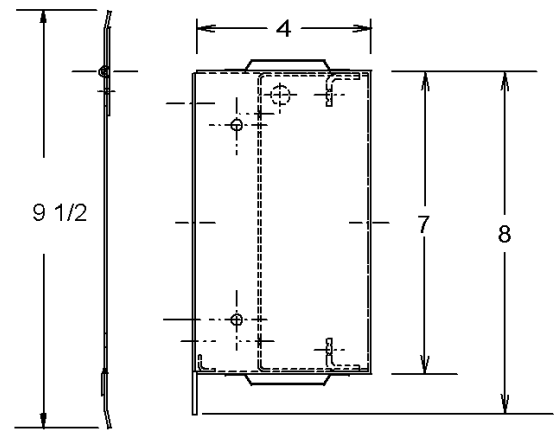
PLAN VIEW



Front View with door panel installed



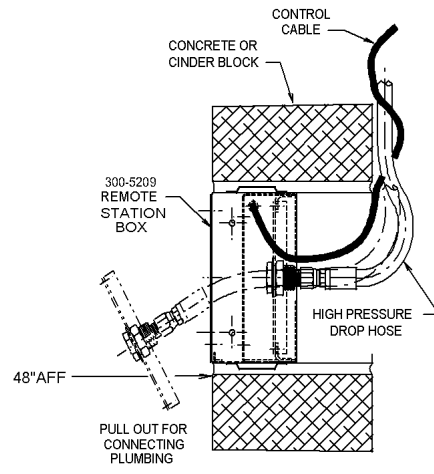
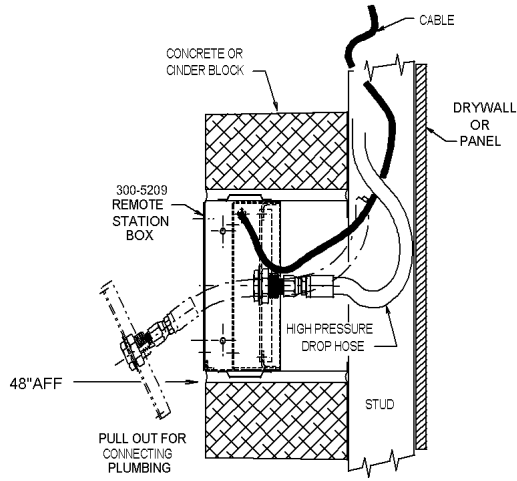
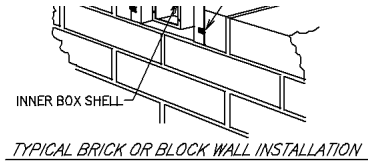
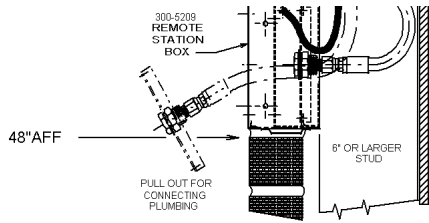
FRONT VIEW



Door Panel

SIDE VIEW

# SMT - New Masonry Remote



CS- 5209 B