



PRODUCT: _____

SKU NUMBER: _____

QUANTITY: _____



FEATURES

- Stainless Steel Recessed Remote Station for Retro-Fit Existing Masonry Construction
- Shut-Off Quick Connect
- Includes Stainless Steel Mounting Plate
- Rear Entry
- 9' Hi-Pressure Hose Supply
- Front Port
- Non Locking Cover
- Door Catch
- Key Switch Controls

300-5203 Retro-Fit Masonry Construction

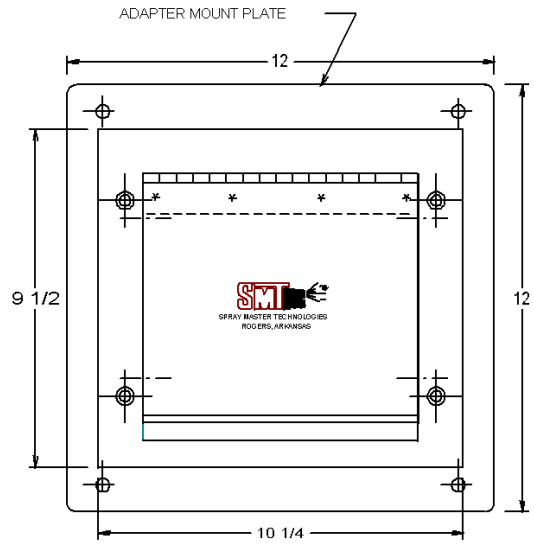
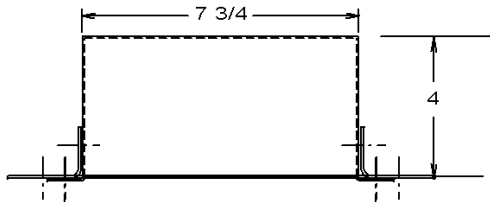
SMT - Retro-Fit Masonry Remote



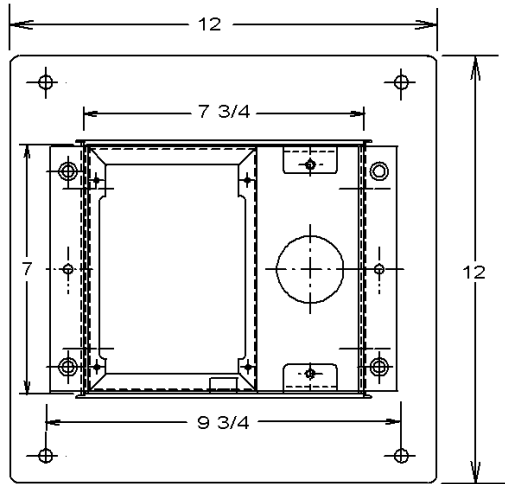
TOLL FREE: 800-548-3373

115 E. Linden • Rogers, Arkansas 72756 USA
(479) 636-5776 • Fax: (479) 636-3245

www.spraymastertech.com

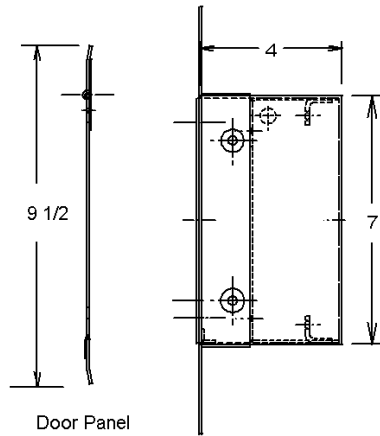


Front View with door panel installed



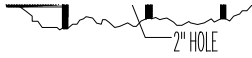
FRONT W/ FRAME PLATE

NOTE: BOX IS SHOWN EMPTY OF CONTROL PANEL AND OTHER PARTS FOR CLARIFICATION



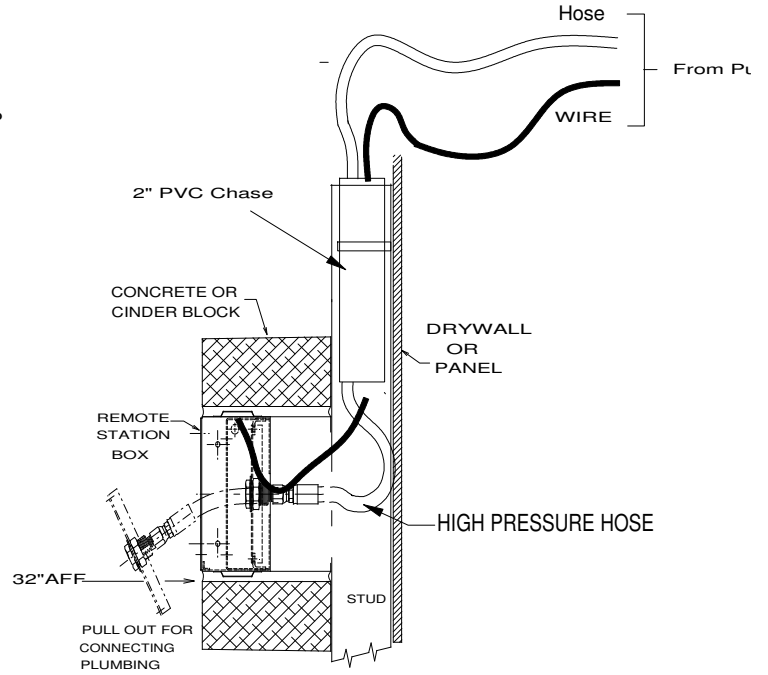
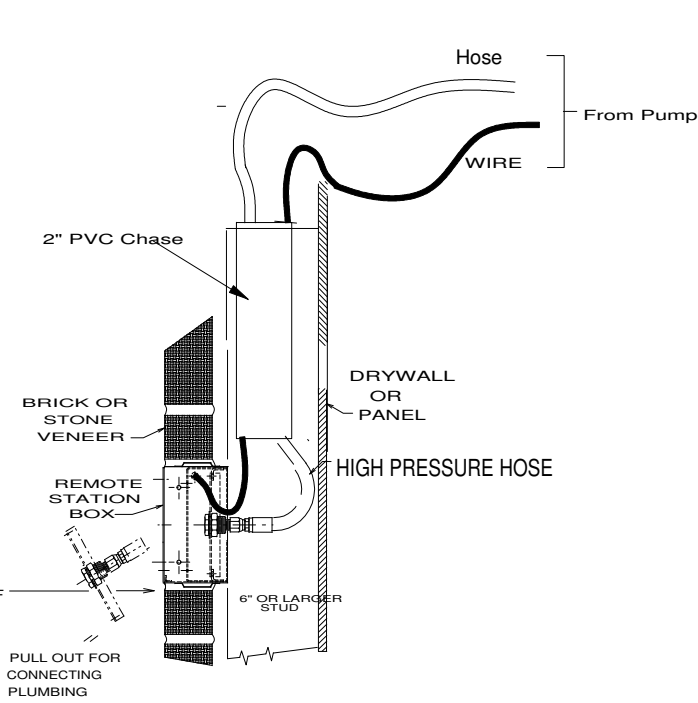
SIDE VIEW

SMT - Retro-Fit Masonry Remote



NOTE: DEPTH OF RECTANGLE CUTOUTS IS 4" PLUS

TYPICAL EXISTING BRICK OR BLOCK WALL
RETROFIT INSTALLATION.



Note: 2" PVC CHASES ARE REQUIRED FOR EACH REMOTE STATION AND ARE NOT QUOTED OR SUPPLIED BY SMT

CS- 5203 B