

PRODUCT: _____

SKU NUMBER: _____

QUANTITY: _____



FEATURES

- Industrial 2hp Motor Totally Enclosed, Fan Cooled
- 3 Cylinder CAT® Super Flow Plunger Pump
- Master Control with 24V Control Circuits
- Manifold Hose
- Thermal Limit Switch 120°F / 49°C
- Chemicals are Injected by Two Solenoids
- Anti-Backflow Protection / Float Tank
- Water Level Float Switch Assembly
- Pressure Gauge, 2000 psi / 138 Bars, Liquid Filled
- Stainless Steel Cover and Frame
- Stainless Steel Wall Mount Brackets
- 6 ft/1.8m-WaterInletSupplyHose
- Maintenance Kit: Water Filter, Replacement Filter and One Hydraulic Oil (ISO-68)
- ETL-CSA Listed to UL 1776
- Shipping Weight: 164 lb / 75 kg

SMT - 600WCY Wall Mount Central System

300-5176

- 2.2 gpm / 8.3 lpm @ 1000 psi / 69 Bars, 208V
- 2.9 gpm / 11 lpm @ 775 psi / 53 Bars, 208V
- 2.2 gpm / 8.3 lpm @ 1100 psi / 76 Bars, 230V
- 2.9 gpm / 11 lpm @ 850 psi / 59 Bars, 230V

Spray Master Technologies®

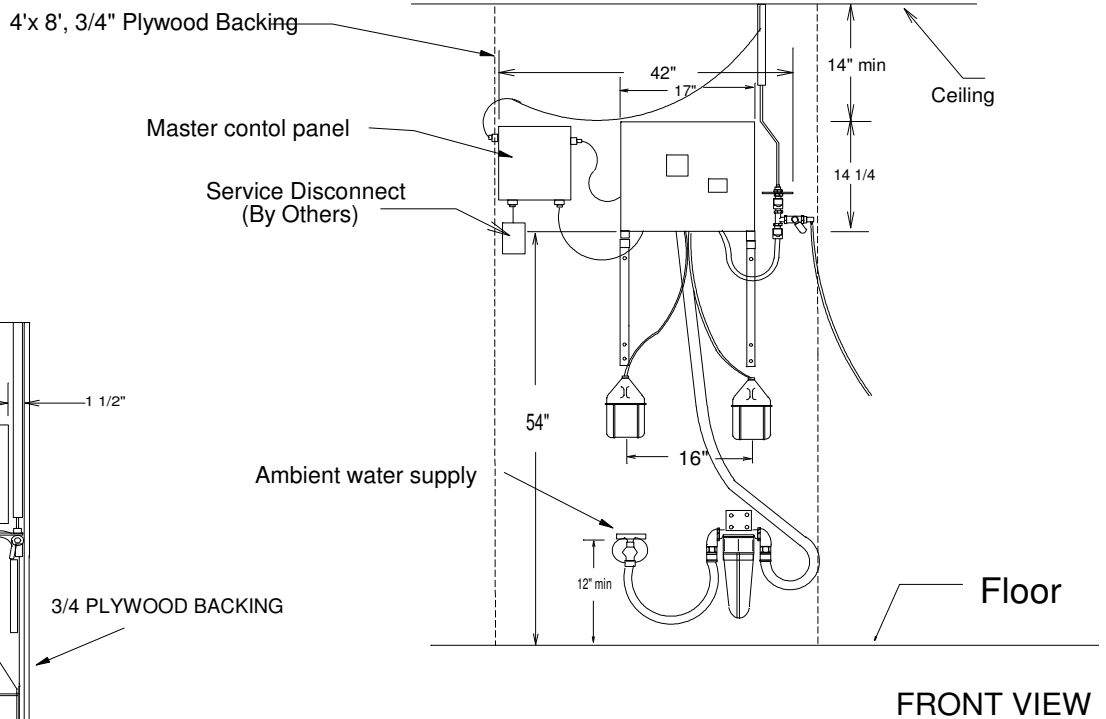
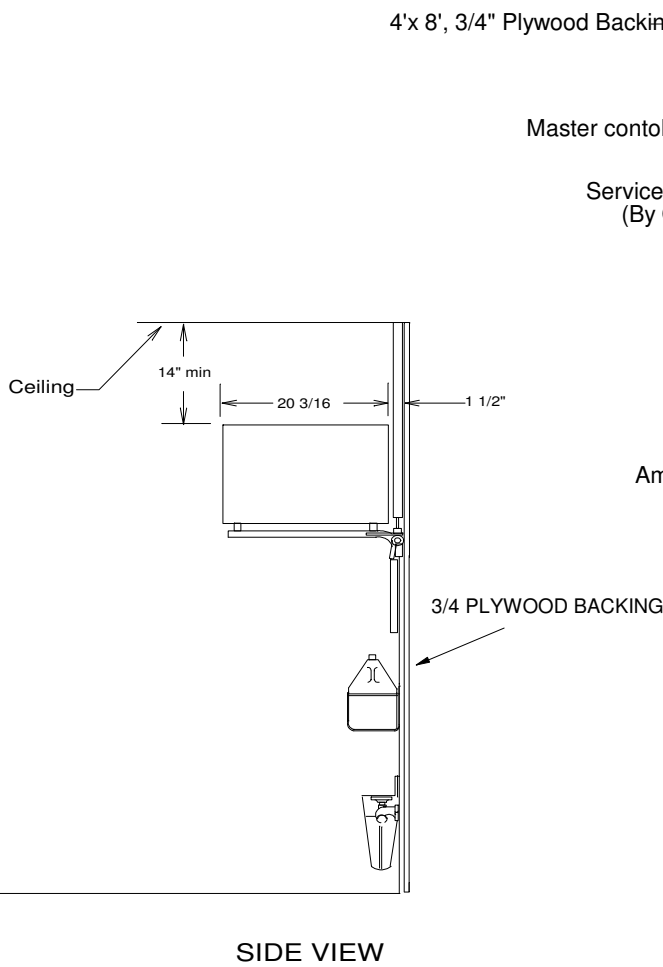
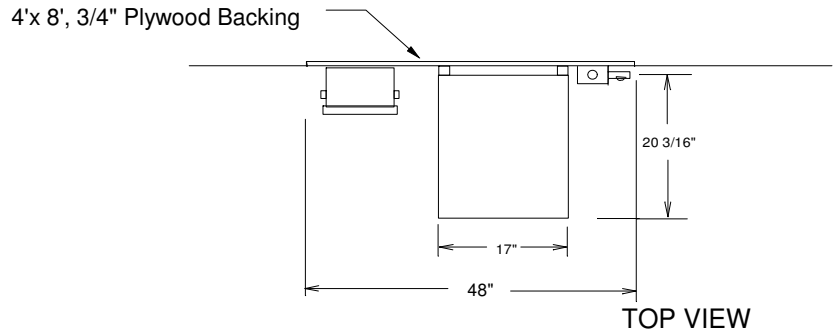
TOLL FREE: 800-548-3373

115 E. Linden • Rogers, Arkansas 72756 USA
 (479) 636-5776 • Fax: (479) 636-3245

www.spraymastertech.com



SMT - 600WCY Wall Mount Central System



Equipment Specifications

Clearances

Left side	12"/30 cm
Right side	12"/30 cm
Overhead	14"/35 cm
Floor	36"/91 cm
Front	36"/91 cm

Plumbing

3/4"/2cm Hose Bib with 5gpm/.14Lpm @ 30psi/20.6bars. 120°F/49°C

Electrical

208-230V

Construction

For non-masonry walls 3/4" plywood backing secured to studs measuring at 4' x 8'

Installation Specifications

Electrical:

208V - 230V 20A hardwired through service disconnect at pump. CAUTION: In all installations the use of a Ground Fault Interrupter (GFI) in the power supply circuit is essential for personal safety.

Water:

One (1) warm water outlet 120°F/49°C MAX with standard 3/4"/1.9cm hose bib with shut-off valve. A pressure gauge in the water line can be helpful although it is not mandatory. A minimum of 5 gal. / 19L per minute and a line pressure not less than 30psi/20.6bars, is required.

Location:

Heated utility room or closet with ventilation. Minimum 14in/.35m clearance above unit required to remove cover. The cover must be removed for servicing the unit. The unit can be serviced without removing it from the wall.

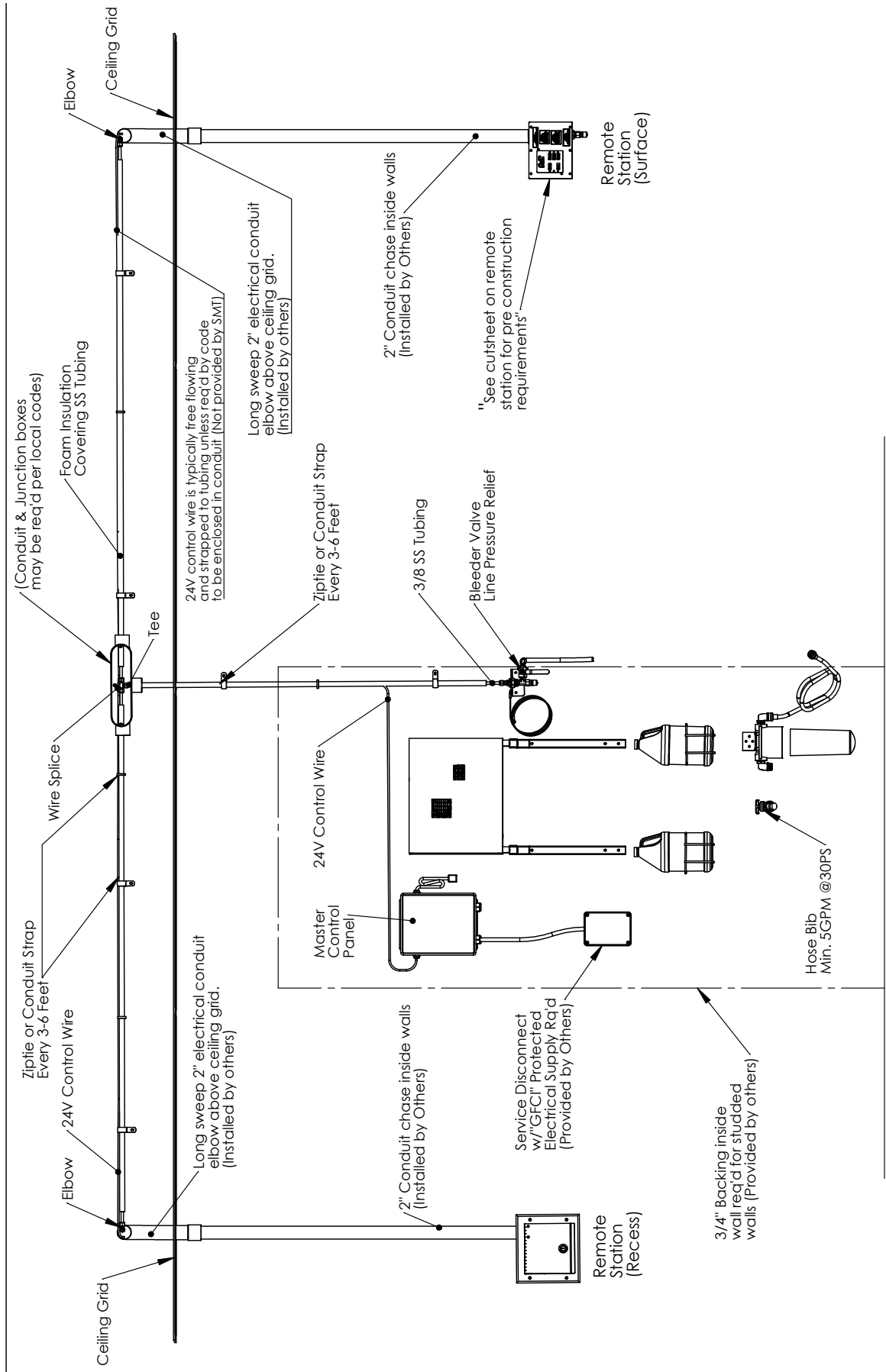
Construction:

For non-masonry walls 3/4" plywood backing secured to studs measuring at 4' x 8'.

General Recommendations:

Floor drains are essential in new facilities to receive the greatest utilization and maximum efficiency of your SPRAY MASTER Pressure Washer. Floor materials and wall coverings which can be cleaned with pressurized water are desirable. Locate electrical outlets above washing areas.

SMT - 600WCY Wall Mount Central System



NOTES:

1. SMT will not provide any chase work in the wall or above the suspended ceiling for stainless tubing or 24v control wire. All unions and tees must be accessible for servicing and check for leaks. Do not make connections in areas that will become inaccessible after construction is complete.
3. The foam insulation over tubing should be installed as the stainless steel tubing is being installed. This can be done by slipping foam tubes over the end of the stainless tubing and sliding it into place over the entire length of the run.
4. Low voltage control cable is run along with and typically strapped to the stainless tubing running to each remote station. This 24 Volt wiring typically does not require enclosure in conduit. Check local codes for verification.

600WCY- Tubing & Wire