



PRODUCT: _____

SKU NUMBER: _____

QUANTITY: _____



FEATURES

- 2hp Motor TEFC, 1725rpm, 1 phase Draws 15A
- 3 cylinder CAT® super flow plunger pump
- SMT-200-RWC manual rewind hose reel
- Quick coupler set (connects hose to unit)
- Quick coupler set (connects gun to hose)
- 50ft/15.3m high pressure hose (steel braided)
- Anti-backflow protection/float tank
- Water Level Float Switch Assembly
- Adjustable chemical injector
- Sanitizer chemical selector with flush feature
- 2 1gal/3.8L chemical baskets
- Pressure gauge, 2000psi/138bars, liquid filled
- Stainless steel cover and frame
- Stainless steel wall mount brackets with gun hanger
- 6ft/2m- water inlet supply hose
- 4ft/1.3m Cord with GFCI
- Maintenance Kit: Water filter, replacement filter and one hydraulic oil
- ETL-CSA listed to UL 1776
- Shipping Weight: 239lb/104-.3kg

SMT - 600W Wall Mount System

300-5107

2.2gpm/8.3lpm @ 1100psi/76bars, 115V

2.2gpm/8.3lpm @ 1000psi/69bars, 208V

2.2gpm/8.3lpm @ 1100psi/76bars, 230V

2.9gpm/11lpm @ 850psi/59bars, 115V

2.9gpm/11lpm @ 800psi/55bars, 208V

2.9gpm/11lpm @ 850psi/59bars, 230V



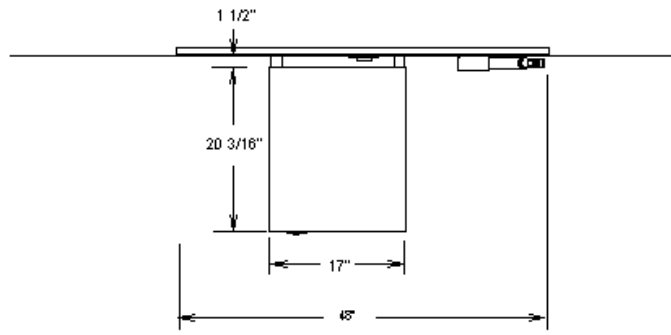
TOLL FREE: 800-548-3373

115 E. Linden • Rogers, Arkansas 72756 USA

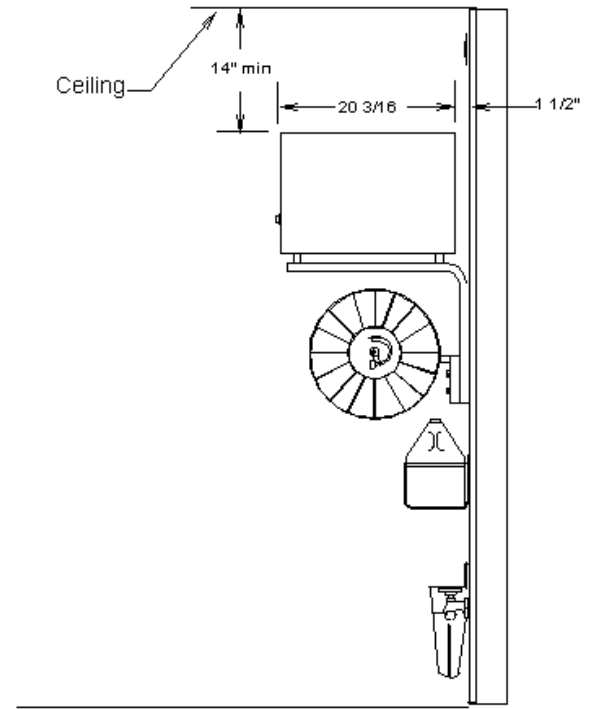
(479) 636-5776 • Fax: (479) 636-3245

www.spraymastertech.com

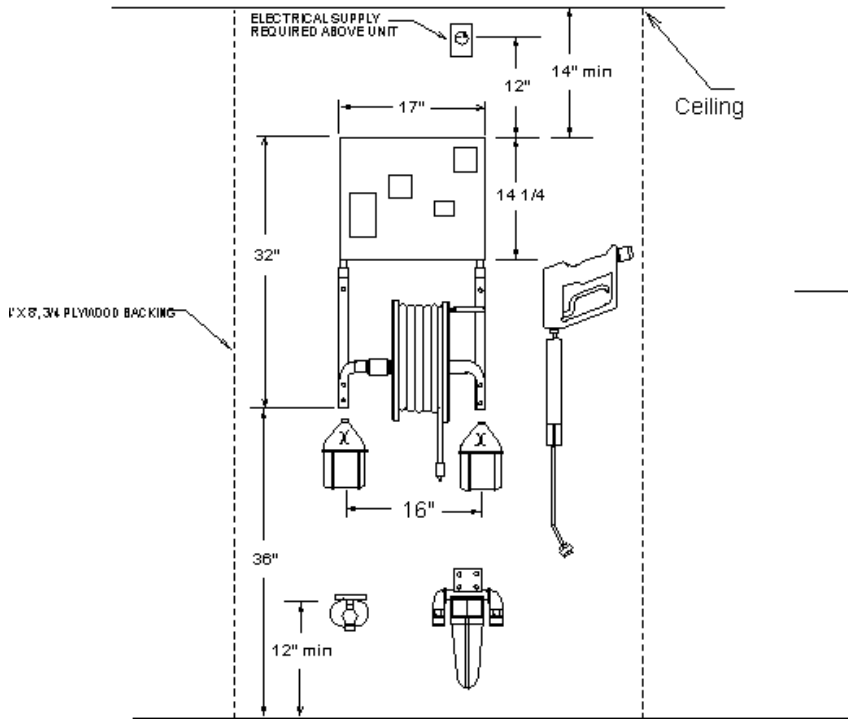
SMT - 600W Wall Mount System



TOP VIEW



SIDE VIEW



FRONT VIEW

Equipment Specifications

Clearances

Left side	12"/30 cm
Right side	12"/30 cm
Overhead	14"/35 cm
Floor	36"/91 cm
Front	36"/91 cm

Plumbing

3/4"/2cm Hose Bib with 5gpm/.14Lpm @ 30psi/20.6bars. 120°F/49°C

Electrical

115V, 20A dedicated circuit or 208-230V, 15A GFCI.

Installation Specifications

Electrical:

One (1) 115V, 60hz, single phase, 20A, 'Dedicated Circuit' with standard receptacle. NOTE: For 208V or 230V units a 15A wall receptacle is required.

Water:

One (1) warm water outlet 120°F/49°C MAX with standard 3/4"/1.9cm hose bib with shut-off valve. A pressure gauge in the water line can be helpful although it is not mandatory. A minimum of 5 gal. / 19L per minute and a line pressure not less than 30psi/20.6bars, is required.

Location:

Heated utility room or closet with ventilation. Minimum 14in/.35m clearance above unit required to remove cover. The cover must be removed for servicing the unit. The unit can be serviced without removing it from the wall.

General Recommendations:

Floor drains are essential in new facilities to receive the greatest utilization and maximum efficiency of your SPRAY MASTER Pressure Washer. Floor materials and wall coverings which can be cleaned with pressurized water are desirable. Locate electrical outlets above washing areas.