



PRODUCT: \_\_\_\_\_

SKU NUMBER: \_\_\_\_\_

QUANTITY: \_\_\_\_\_



300-1699  
2 Tier Rack

### FEATURES

- Powder-Coated Steel Frame
- 2 Racks
- Small Footprint
- Silver Hammertone Finish
- Adjustable Feet

SMT - ACD 2 Tier Rack

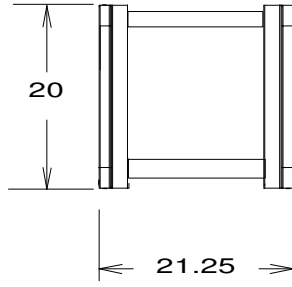


**TOLL FREE: 800-548-3373**

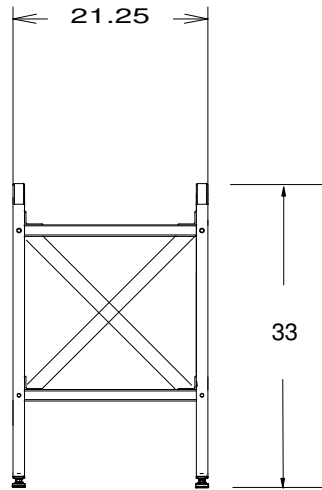
115 E. Linden • Rogers, Arkansas 72756 USA  
(479) 636-5776 • Fax: (479) 636-3245

[www.spraymastertech.com](http://www.spraymastertech.com)

SMT - ACD 2 Tier Rack



TOP VIEW



FRONT VIEW