



PRODUCT: \_\_\_\_\_

SKU NUMBER: \_\_\_\_\_

QUANTITY: \_\_\_\_\_



300-0392 2.2 gpm / 8.3 lpm

### FEATURES

- Trigger Gun
- 24" Stainless Steel, Bent, Insulated Grip
- Vari Nozzle 1.4
- Flow Thru Quick Connect
- 2.2 gpm
- Weight: 5 lbs.



SMT - 24" Spray Wand Vari-Nozzle



**TOLL FREE: 800-548-3373**

115 E. Linden • Rogers, Arkansas 72756 USA  
(479) 636-5776 • Fax: (479) 636-3245

[www.spraymastertech.com](http://www.spraymastertech.com)

# SMT - 24" Spray Wand Vari-Nozzle

ITEM NO.	PART NUMBER	DESCRIPTION	QTY.
1	300-1088	TRIGGER, GUN	1
2	300-3480 300-0182	LANCE, 36" LANCE, 24"	1
3	300-0192	SELECTOR, DUAL NOZZLE	1
10	020-0027	WASHER, 1/2X 1 1/16 X .094, FLAT, CZ	1
11	300-0004	SPACER, .53" IDX1" ODX.5,NYLON, BLK	1

## NOZZLES, HIGH PRESSURE

ITEM NO.	PART NUMBER	DESCRIPTION
4	300-3360 300-3375 300-3365 300-0254	25040-(2.2GPM PUMP) 25070-(2.9GPM PUMP) 25050-(3.6GPM PUMP) 25075-(4.0GPM PUMP)

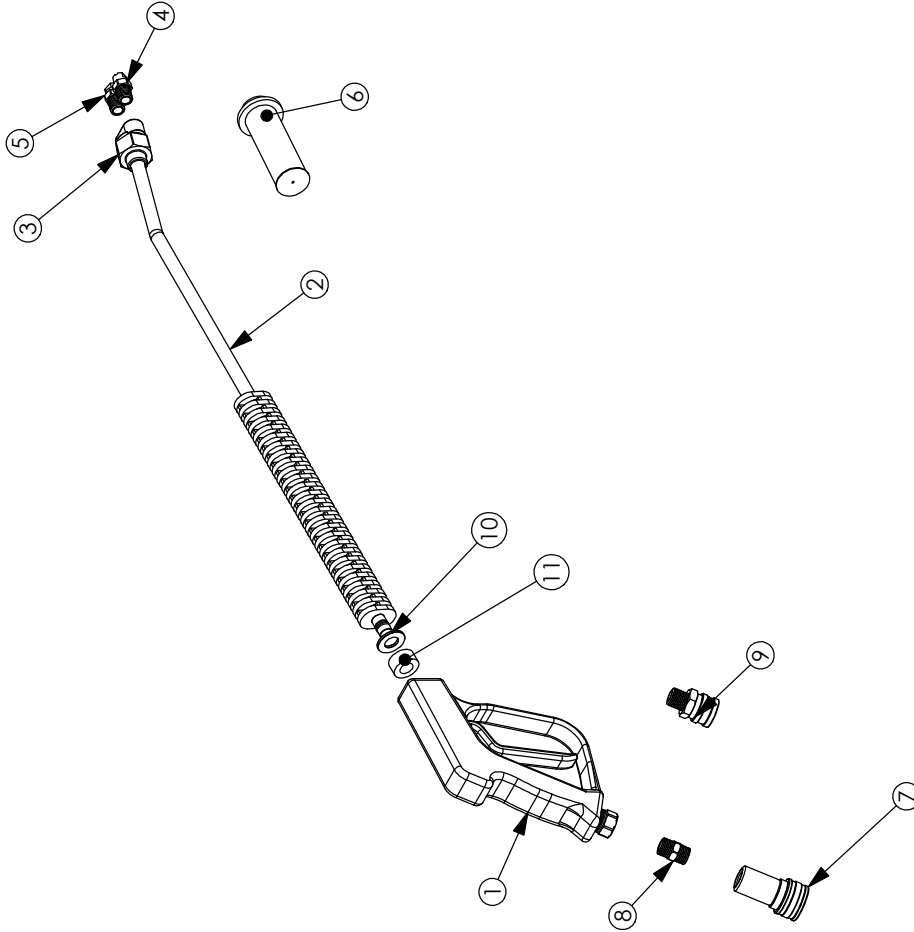
## NOZZLES, LOW PRESSURE

ITEM NO.	PART NUMBER	DESCRIPTION
5	300-3410	2530 - ALL MODELS

## VARI-NOZZLES, HIGH/LOW PRESSURE

ITEM NO.	PART NUMBER	DESCRIPTION
6	300-3440 300-3435 300-3427 300-2863 300-2929 300-3399	4.0 (2.2 GPM- 1100 PSI) 4.5 (2.2 GPM- 1100 PSI) 7.0 (2.9 GPM- 850 PSI) 8.0 (2.9 GPM- 850 PSI) 5.0 TORNADO (3.6GPM-2000PSI) 5.5 H.P. ONLY (3.6 GPM-2000 PSI)

ITEM NO.	PART NUMBER	DESCRIPTION
7	000-0041	Q.C. SOCKET- SHUTOFF
8	300-1120	NIPPLE, HEX, 3/8" FOR USE WITH 000-0041
9	000-0242	Q.C. SOCKET, FLOW THRU



## GUN & NOZZLE ASSEMBLY

