



PRODUCT: \_\_\_\_\_

SKU NUMBER: \_\_\_\_\_

QUANTITY: \_\_\_\_\_



300-0321 2.2 or 2.9 gpm

### FEATURES

- Trigger Gun
- 2.2 or 2.9 gpm
- Weight: 2.25 lbs.
- Quick Connect Coupler, Flow Through
- Heat resistant
- Dual Nozzle
- Lance Cover -Black Foam Tube
- Equipped with safety lock

SMT - 6" Shorty Spray Gun

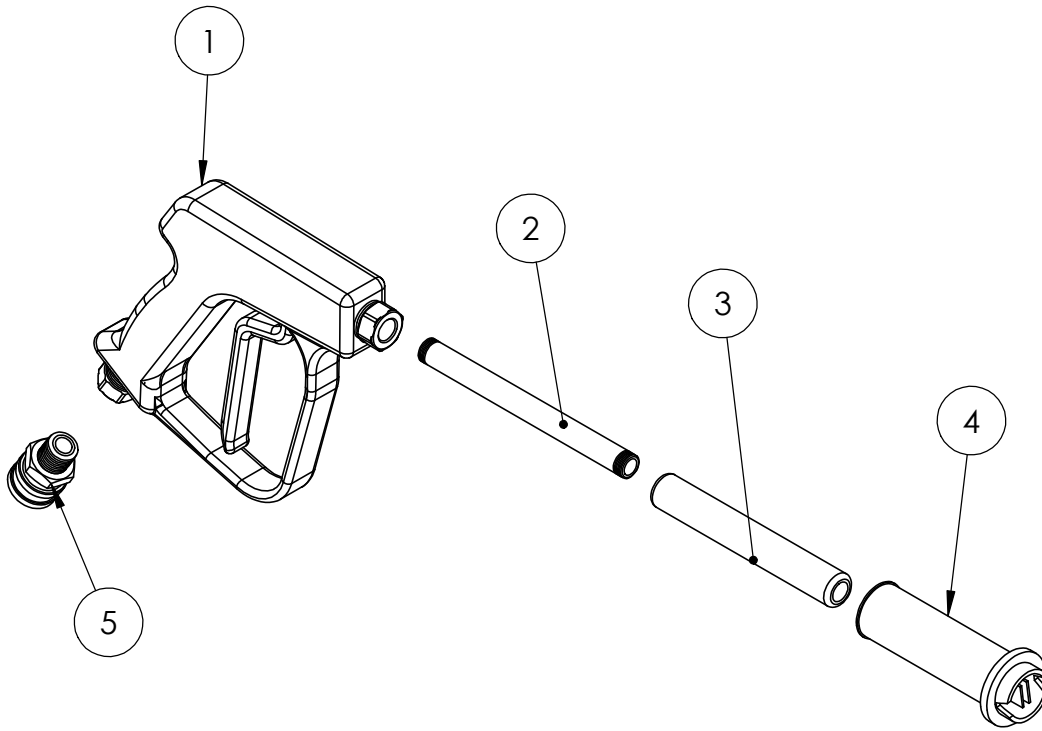


**TOLL FREE: 800-548-3373**

115 E. Linden • Rogers, Arkansas 72756 USA  
(479) 636-5776 • Fax: (479) 636-3245

[www.spraymastertech.com](http://www.spraymastertech.com)

# SMT - 6" Shorty Spray Gun



ITEM	PART#	DESCRIPTION	QTY.
1	300-1088	GUN, SPRAY, TRIGGER, 3/8" FPT IN, 1/4" FPT OUT	1
2	300-1350	NIPPLE, 1/4" X 6", BRASS	1
3	300-0401	GRIP, FOAM TUBE, 1/2" ID 5.5 " LONG, 125 WALL, BLK	1
4	300-2863	NOZZLE, VARI, 8.0, SILVER DOT	1
5	000-0242	SOCKET, QUICK CONNECT, F-T, 3/8"MPT, BRASS	1