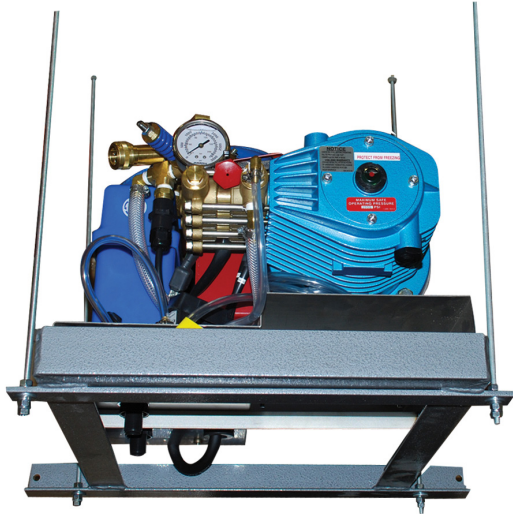


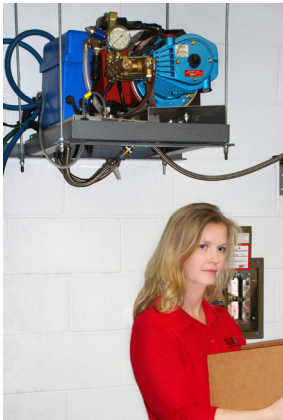


spraymastertech.com



300-5079 2500REY-T
300-5082 2500REY-H
4.2 G, 7.5 HP, 230 V, 12 lpm@2300 psi/158 Bars

Additional view shown approximately 7' from floor.



PRODUCT: _____

SKU NUMBER: _____

QUANTITY: _____

FEATURES

- Industrial 5 HP Motor Totally Enclosed, Fan Cooled
- 3 Cylinder CAT® Super Flow Plunger Pump
- Master Control with 24V Control Circuits
- Manifold Hose
- Thermal Limit Switch 120°F / 49°C
- Chemical is Injected by a Solenoid
- Anti-Backflow Protection / Float Tank
- Water Level Float Switch Assembly
- Pressure Gauge, 3000 psi / 138 Bars, Liquid Filled
- 6 ft/1.8m-WaterInletSupplyHose
- Maintenance Kit: Water Filter, Replacement Filter and Two Hydraulic Oils (ISO-68)
- ETL-CSA Listed to UL 1776
- Shipping Weight: 266 lb / 120 kg

SMT - 2500SEY Suspension Mount Central System

Spray Master Technologies®

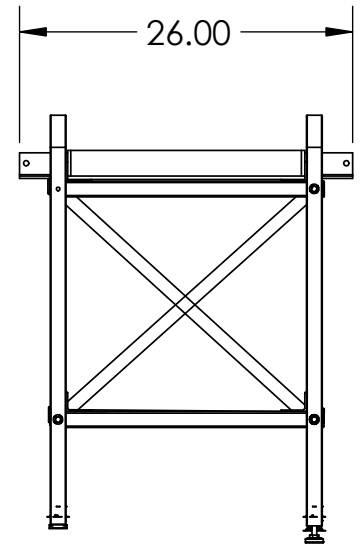
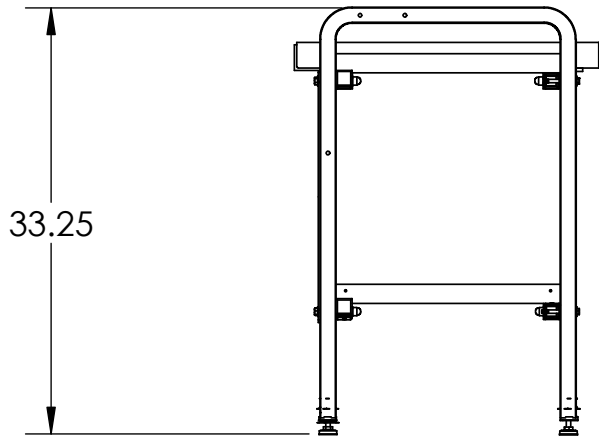
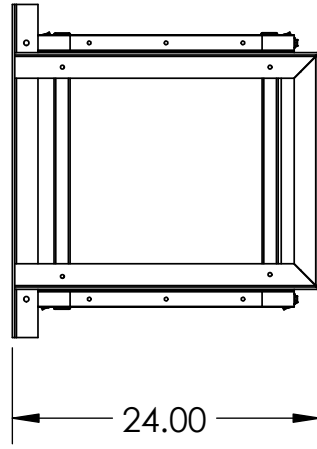
TOLL FREE: 800-548-3373

115 E. Linden • Rogers, Arkansas 72756 USA
(479) 636-5776 • Fax: (479) 636-3245

www.spraymastertech.com



SMT - 2500 SEY Rack Mount Central System



Equipment Specifications

Clearances

Left side	12"/30 cm
Right side	12"/30 cm
Overhead	14"/35 cm
Floor	36"/91 cm
Front	36"/91 cm

Plumbing

3/4"/2cm Hose Bib with 5gpm/.14Lpm @ 30psi/20.6bars. 120°F/49°C

Electrical

230V/40 A GFI
115V/15A

Installation Specifications

Electrical:

2500REY: 230V/40 AMP dedicated circuit breaker in main panel and service disconnect at pump as well as a 115V/15A outlet required at the pump.

230V/40 AMP hardwired through service disconnect at pump.

Water:

One (1) warm water outlet 120°F/49°C. MAX with standard 3/4"/1.9cm hose bib with shut-off valve. A pressure gauge in the water line can be helpful although it is not mandatory. A minimum of 5 gal. / 19L per minute and a line pressure not less than 30psi/20.6bars, is required.

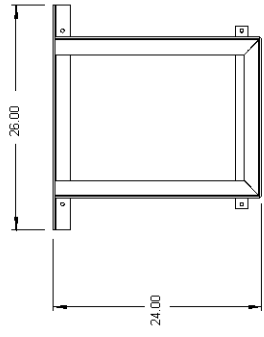
Location:

Heated utility room or closet with ventilation. Minimum 14in/.35m clearance above unit required to remove cover. The cover must be removed for servicing the unit. The unit can be serviced without removing it from the wall.

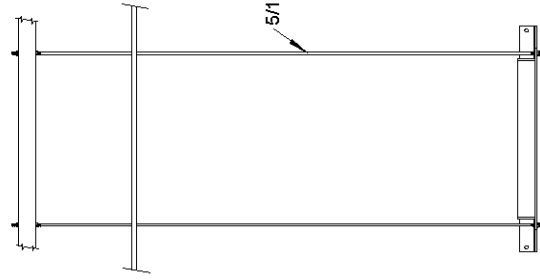
General Recommendations:

Floor drains are essential in new facilities to receive the greatest utilization and maximum efficiency of your SPRAY MASTER Pressure Washer. Floor materials and wall coverings which can be cleaned with pressurized water are desirable. Locate electrical outlets above washing areas.

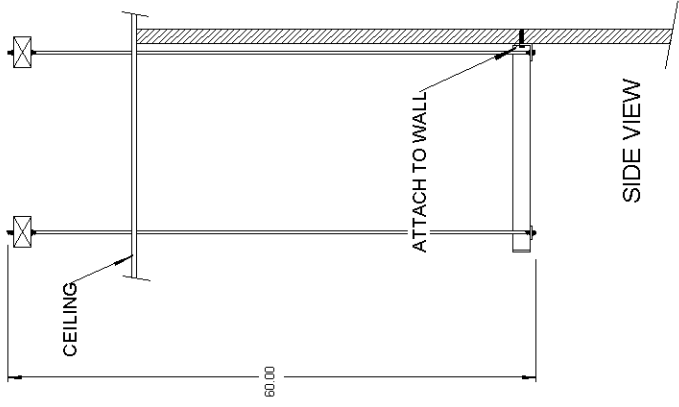
SMT - 2500SEY Suspension Mount Central System



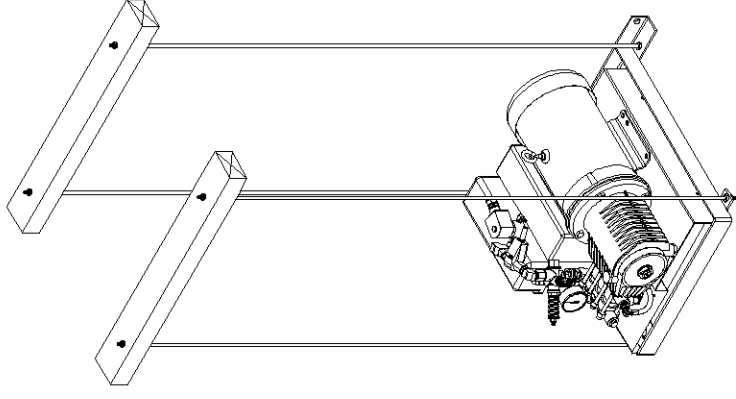
PLAN VIEW



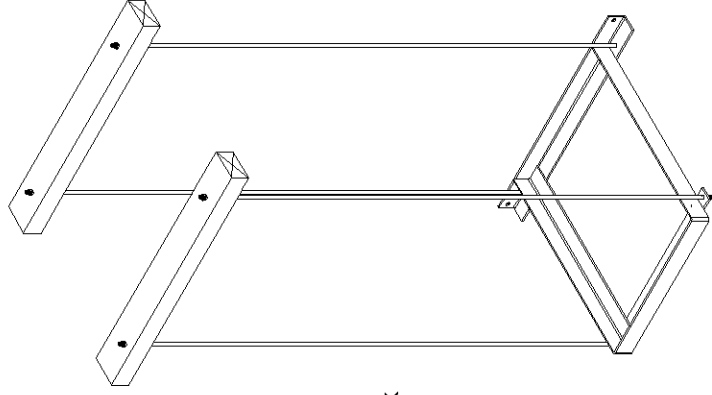
FRONT VIEW



SIDE VIEW



ISOMETRIC VIEW (WITH PUMP)



ISOMETRIC VIEW (WITHOUT PUMP)

